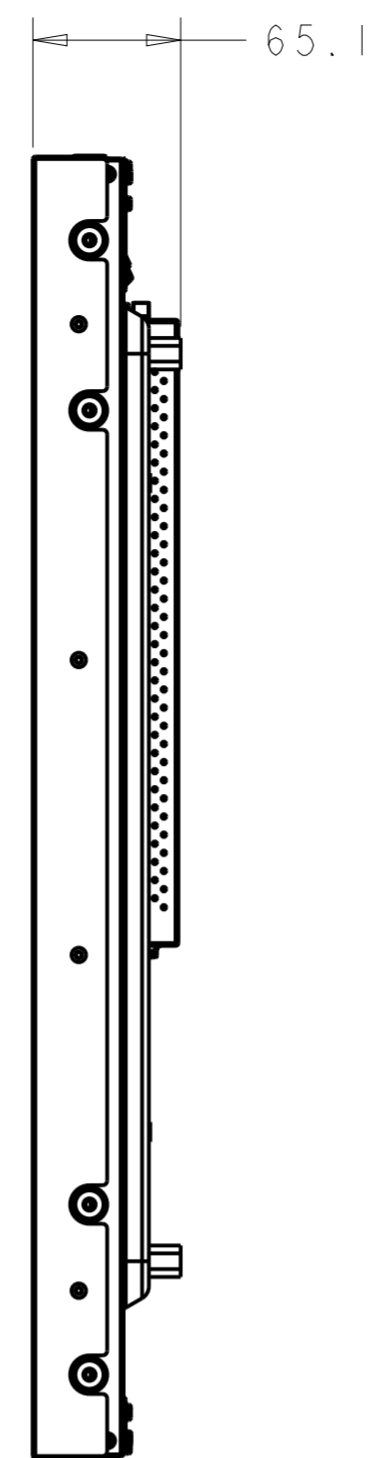
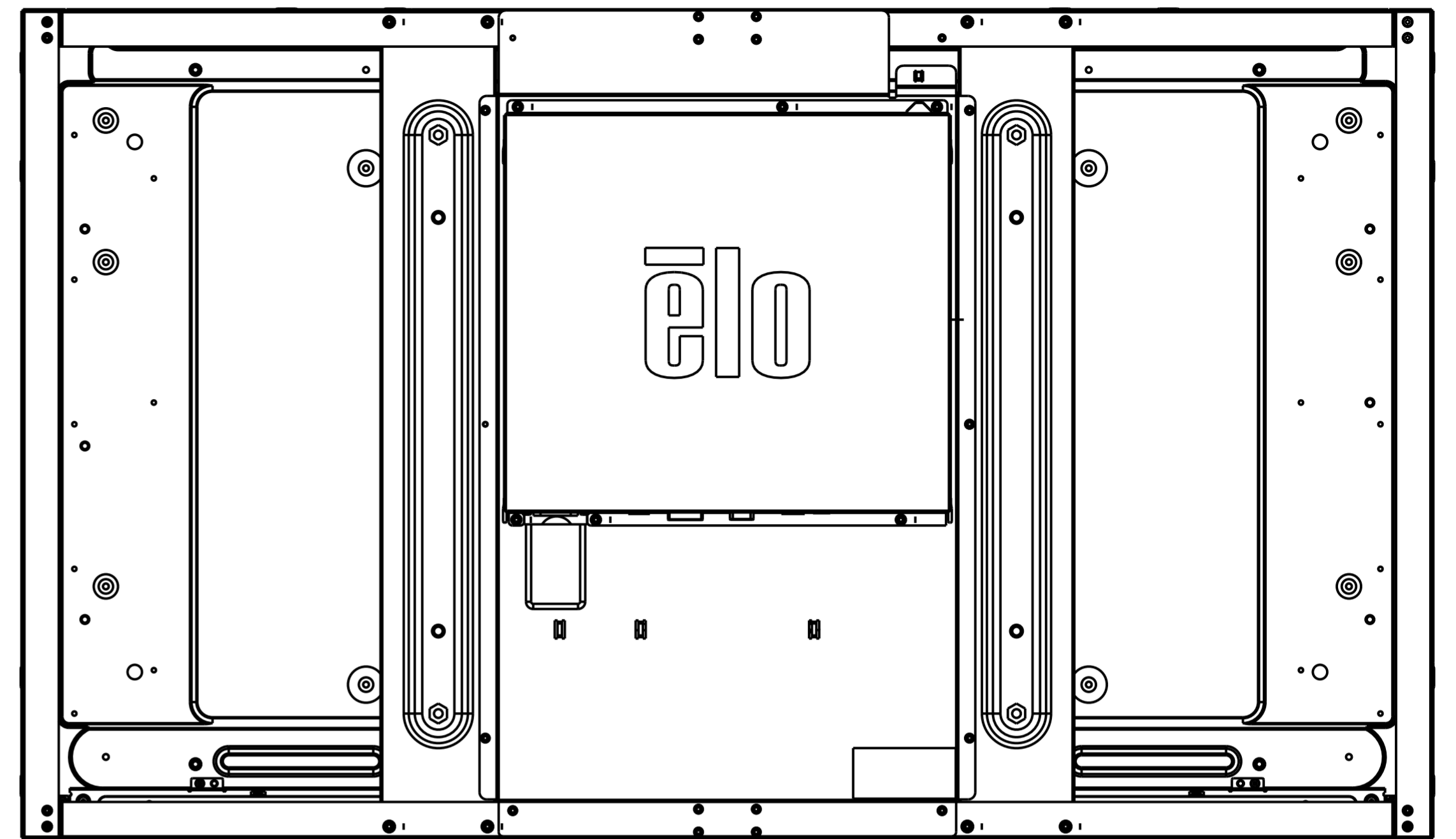


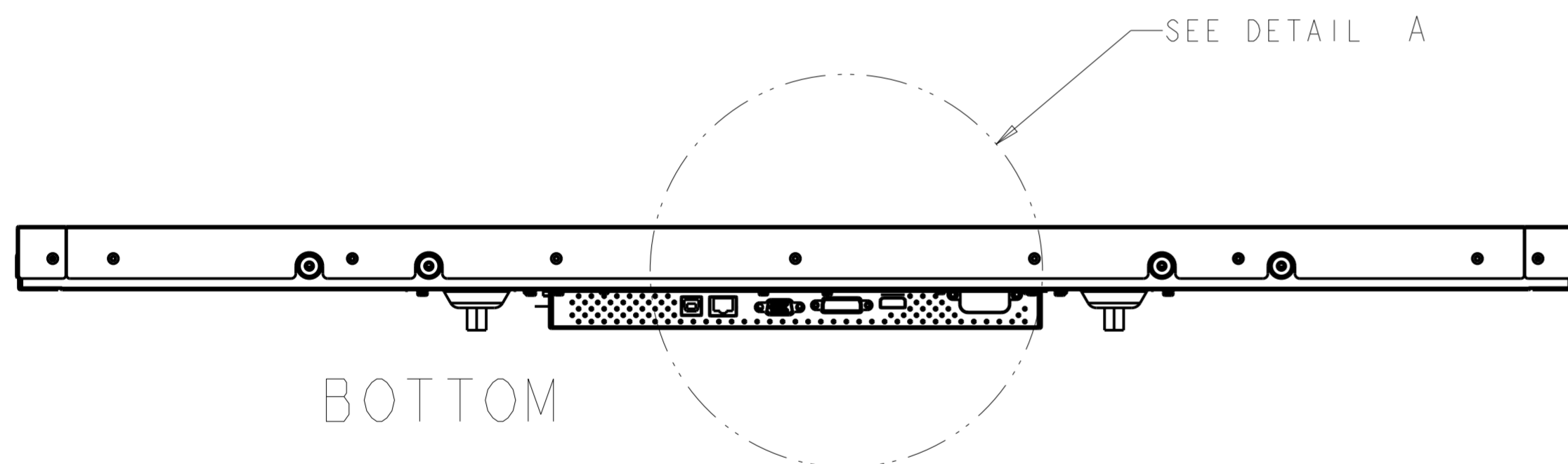
FRONT



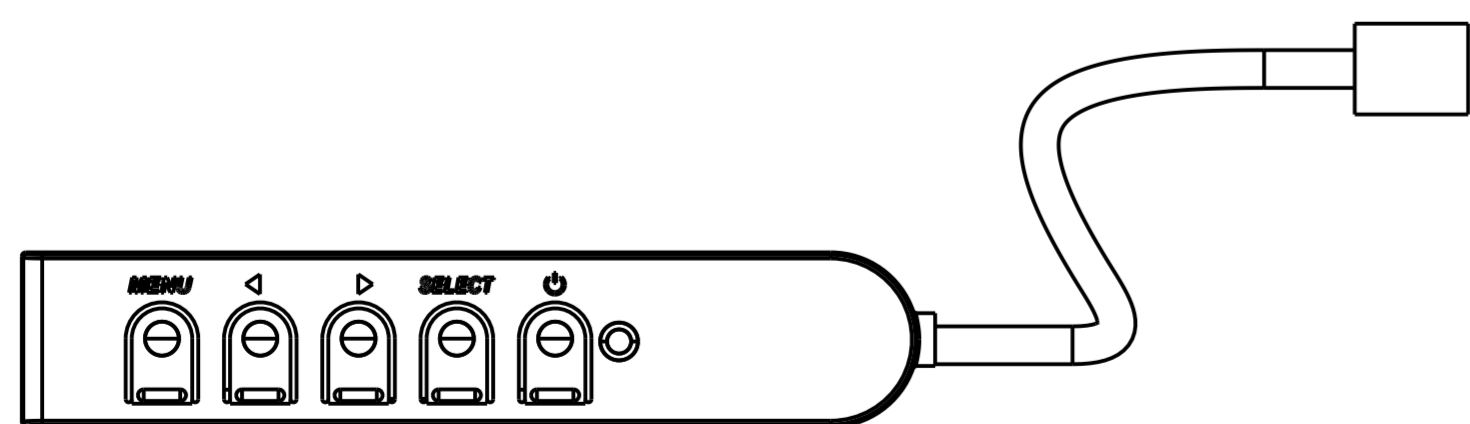
SIDE



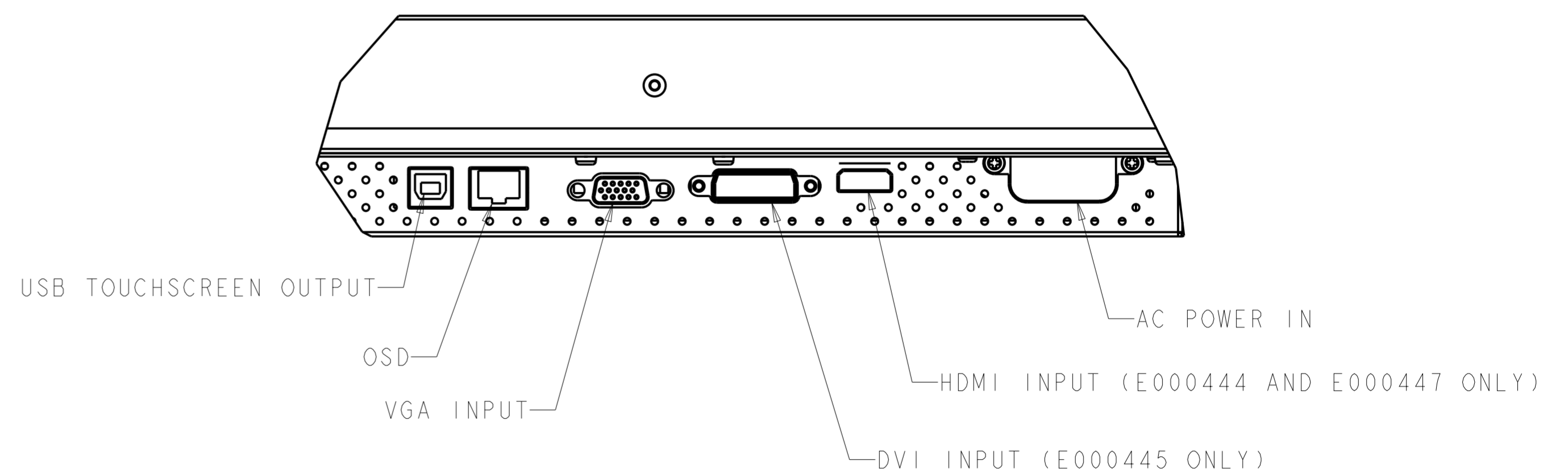
REAR



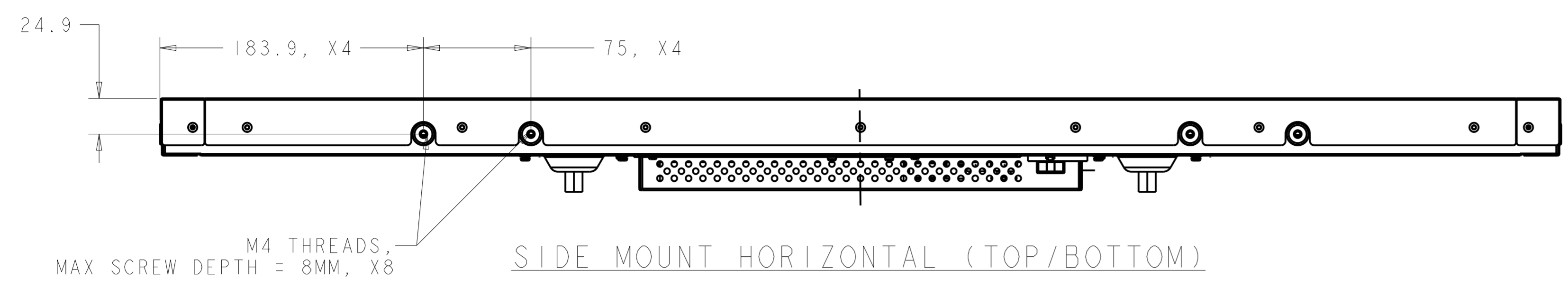
BOTTOM



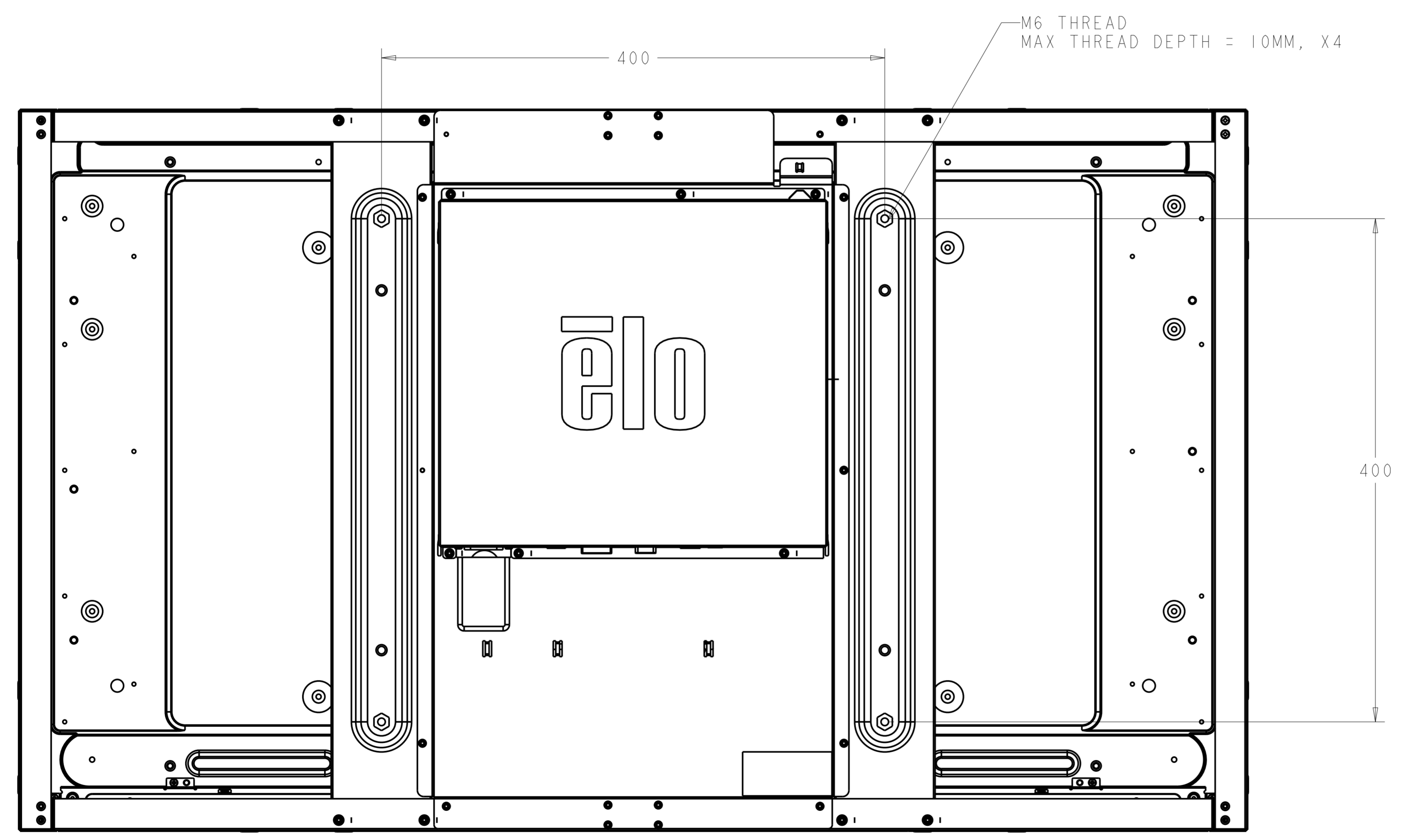
OPTIONAL OSD REMOTE
 P/N E483757
 (1 INCLUDED WITH TOUCHMONITOR)



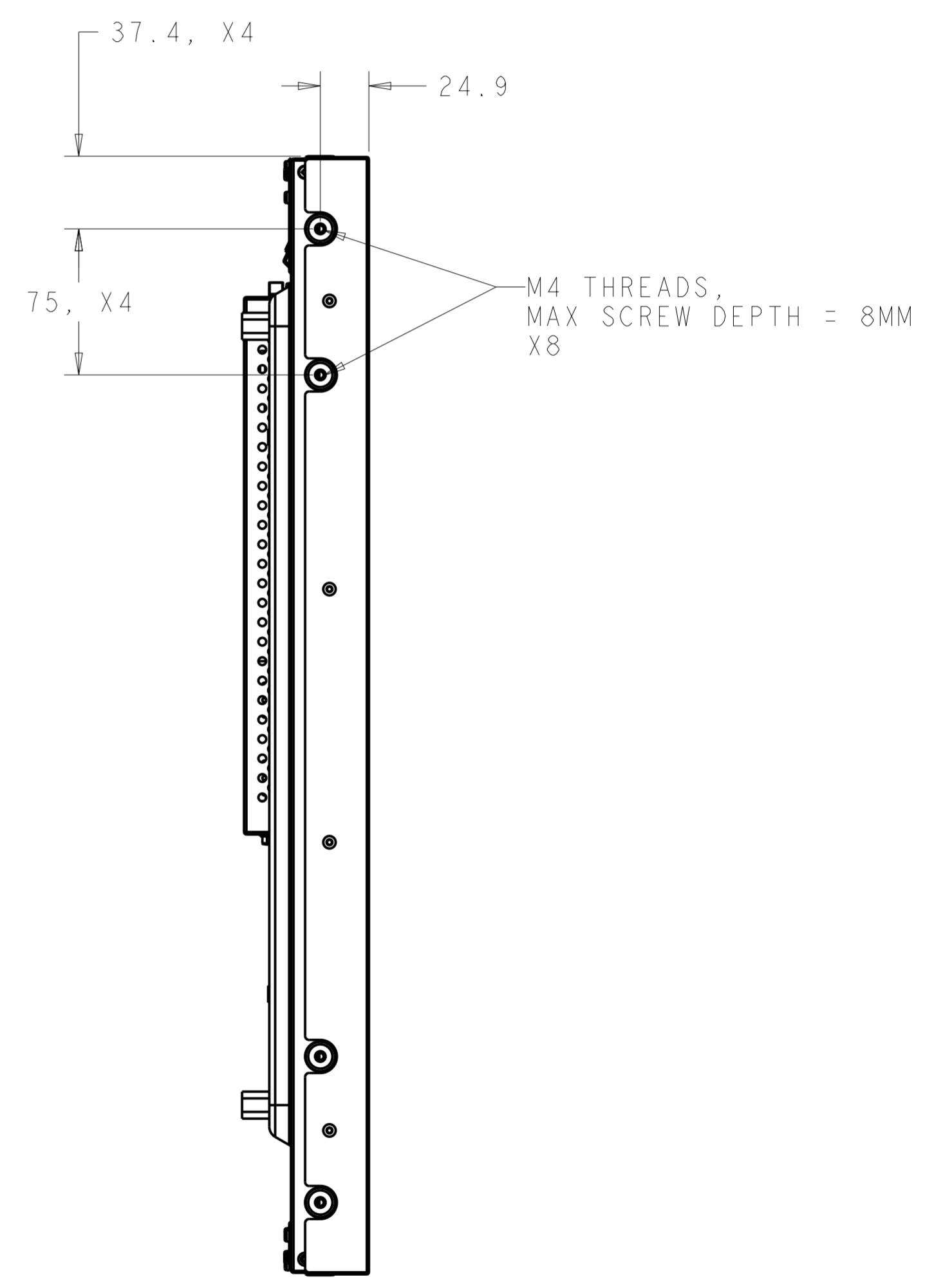
DETAIL A
 SCALE 4:5



SIDE MOUNT HORIZONTAL (TOP/BOTTOM)

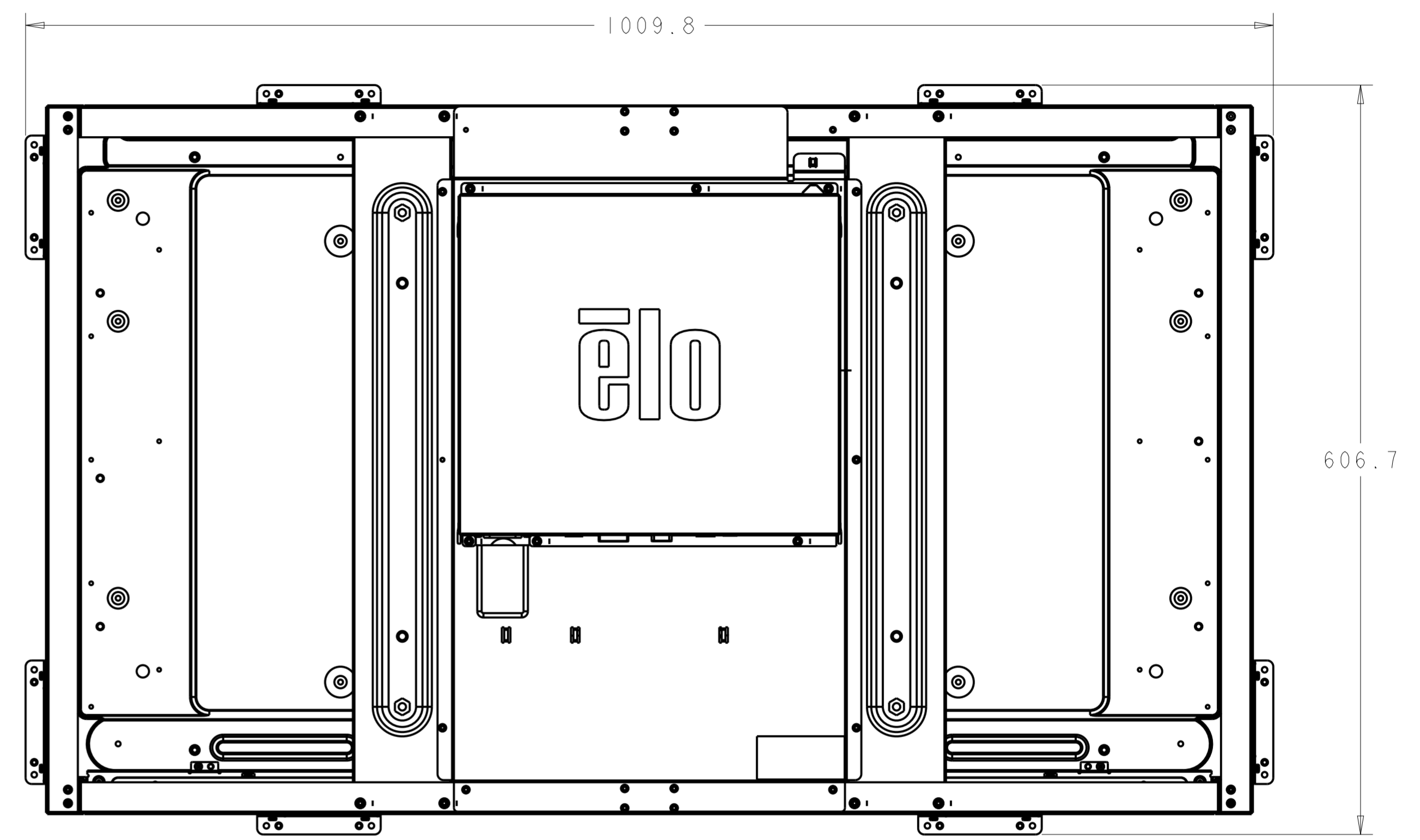
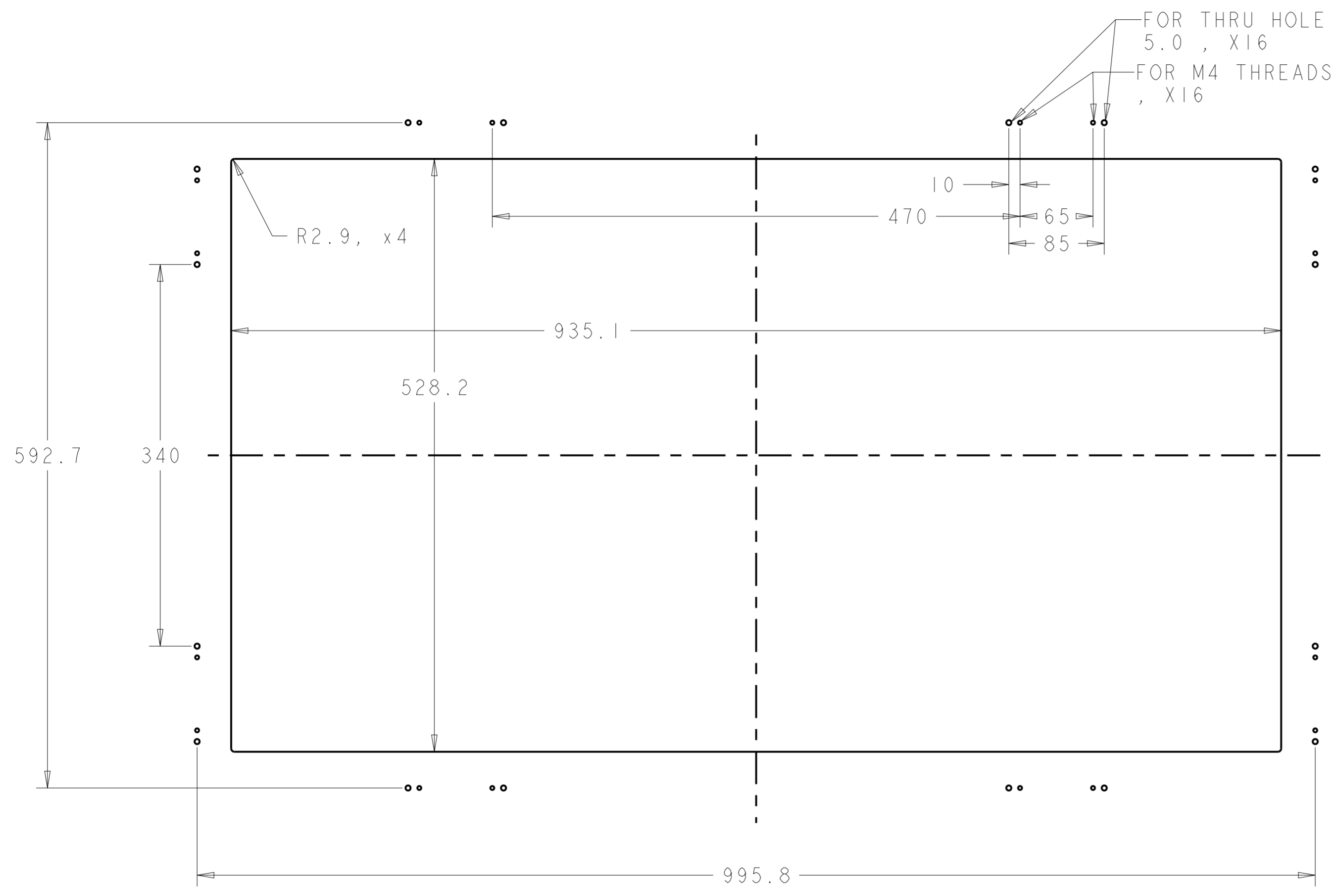


VESA MOUNT PER MIS-F, 400, 400, 6



SIDE MOUNT VERITCAL (LEFT/RIGHT)

MOUNTING WITH ADJUSTABLE BRACKETS (8 PROVIDED)



RECOMMENDED CUSTOMER PANEL CUT-OUT

