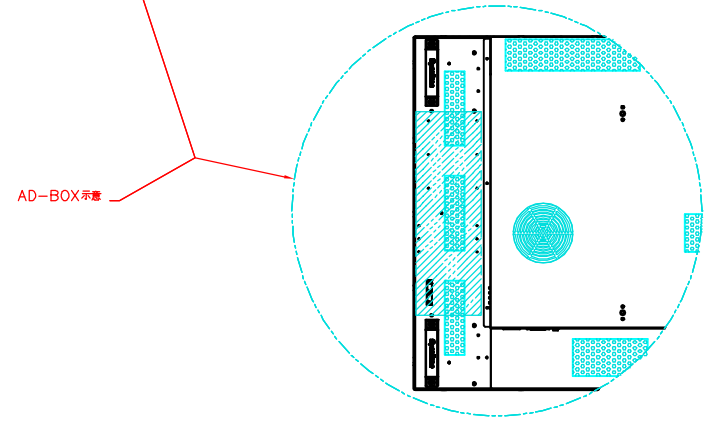
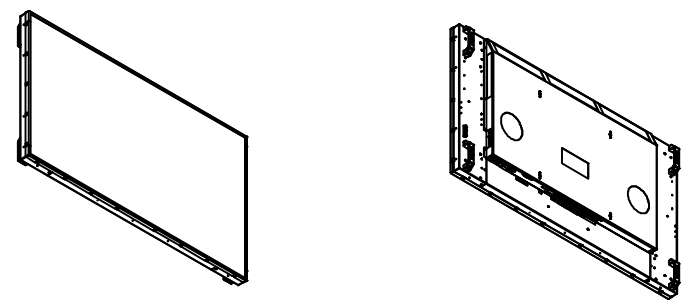
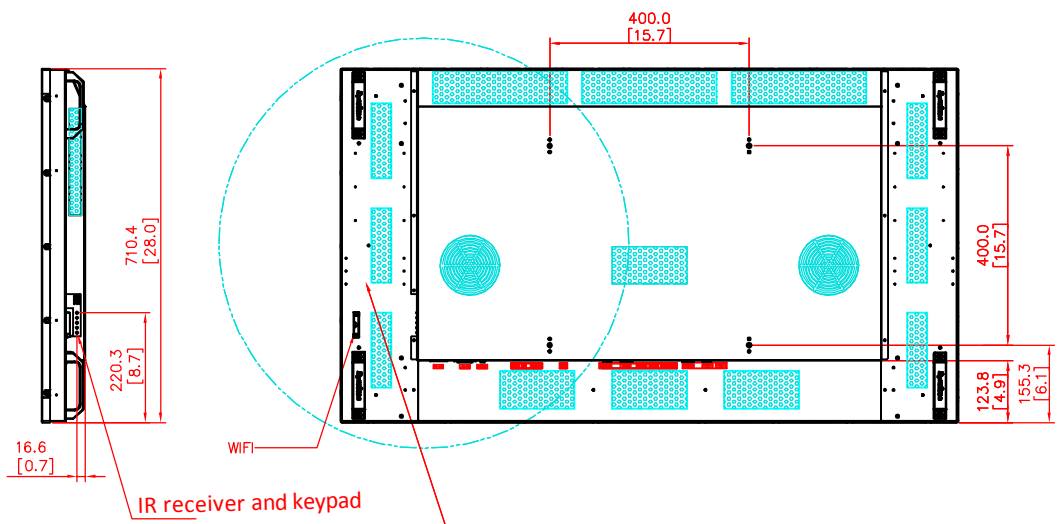
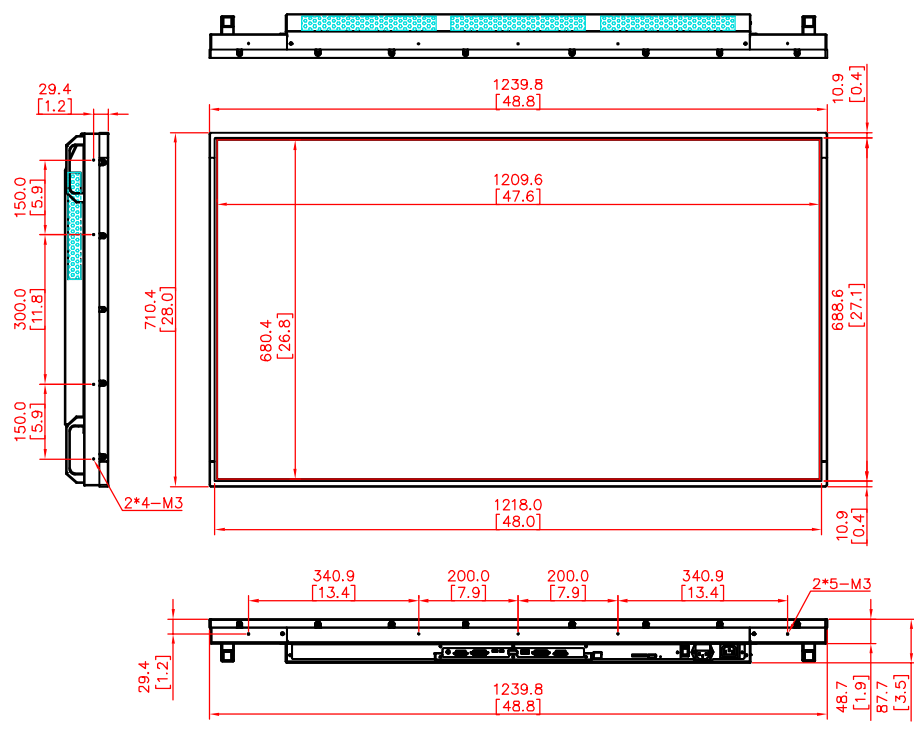


1 2 3 4 5 6 7 8 9 0

A
B
C
D
E
F
G
H

A
B
C
D
E
F
G
H



Unit	UNLESS OTHERWISE SHOWN TOLERANCES	MODEL NAME
mm/inch	.X ± 1.5 X. ± 2.0	DS552LT6-1
DynaScan Technology Corp.		DATE
		2017.05.04