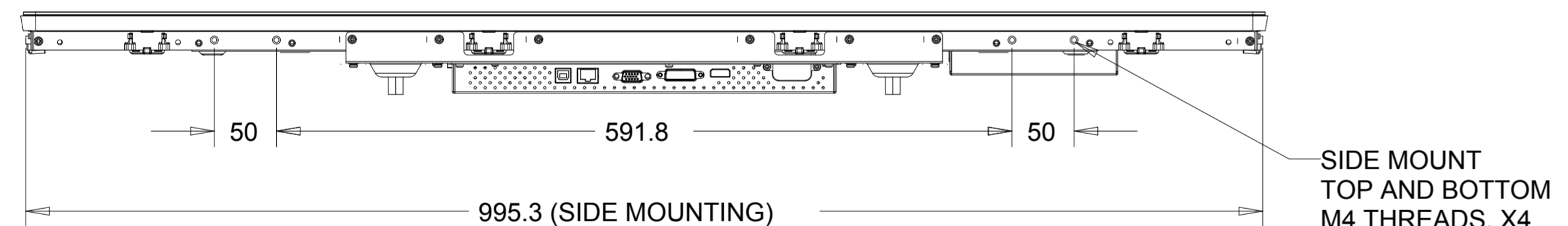
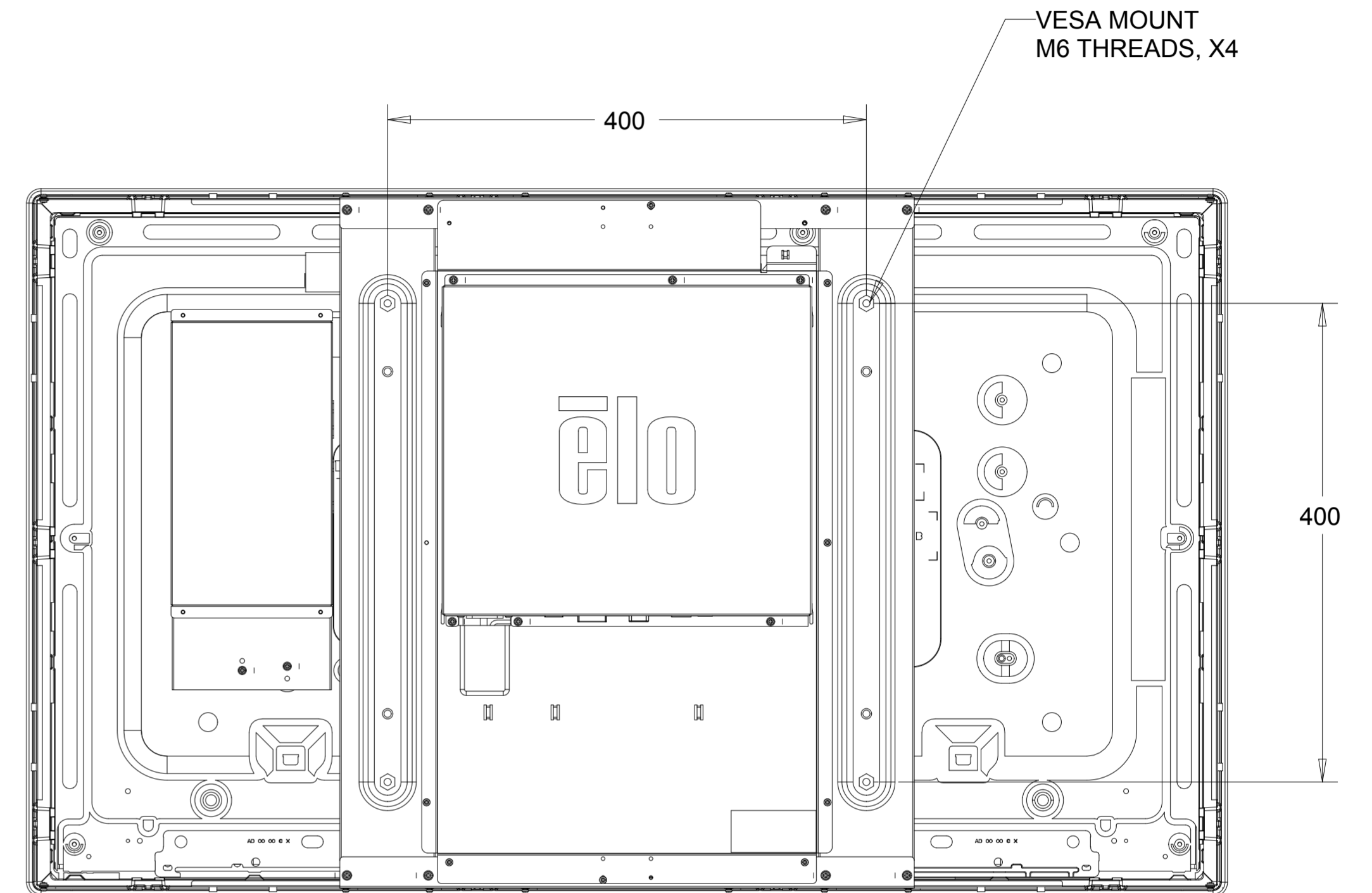
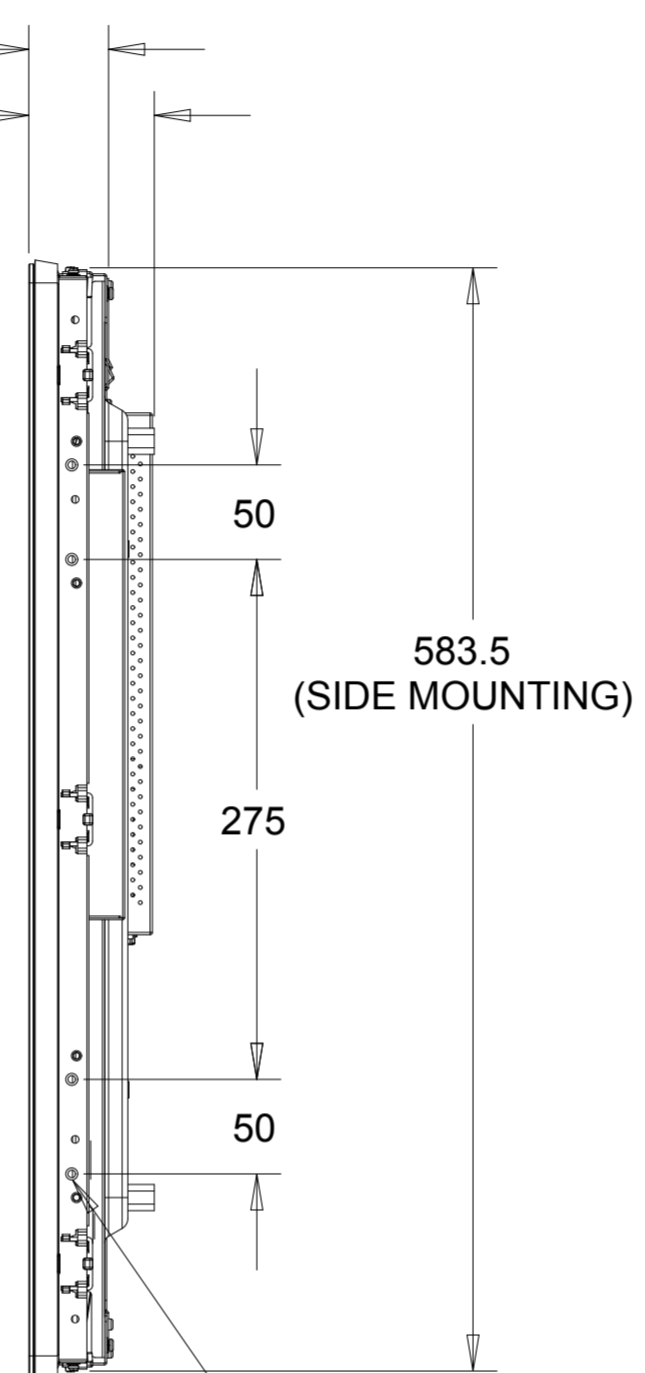
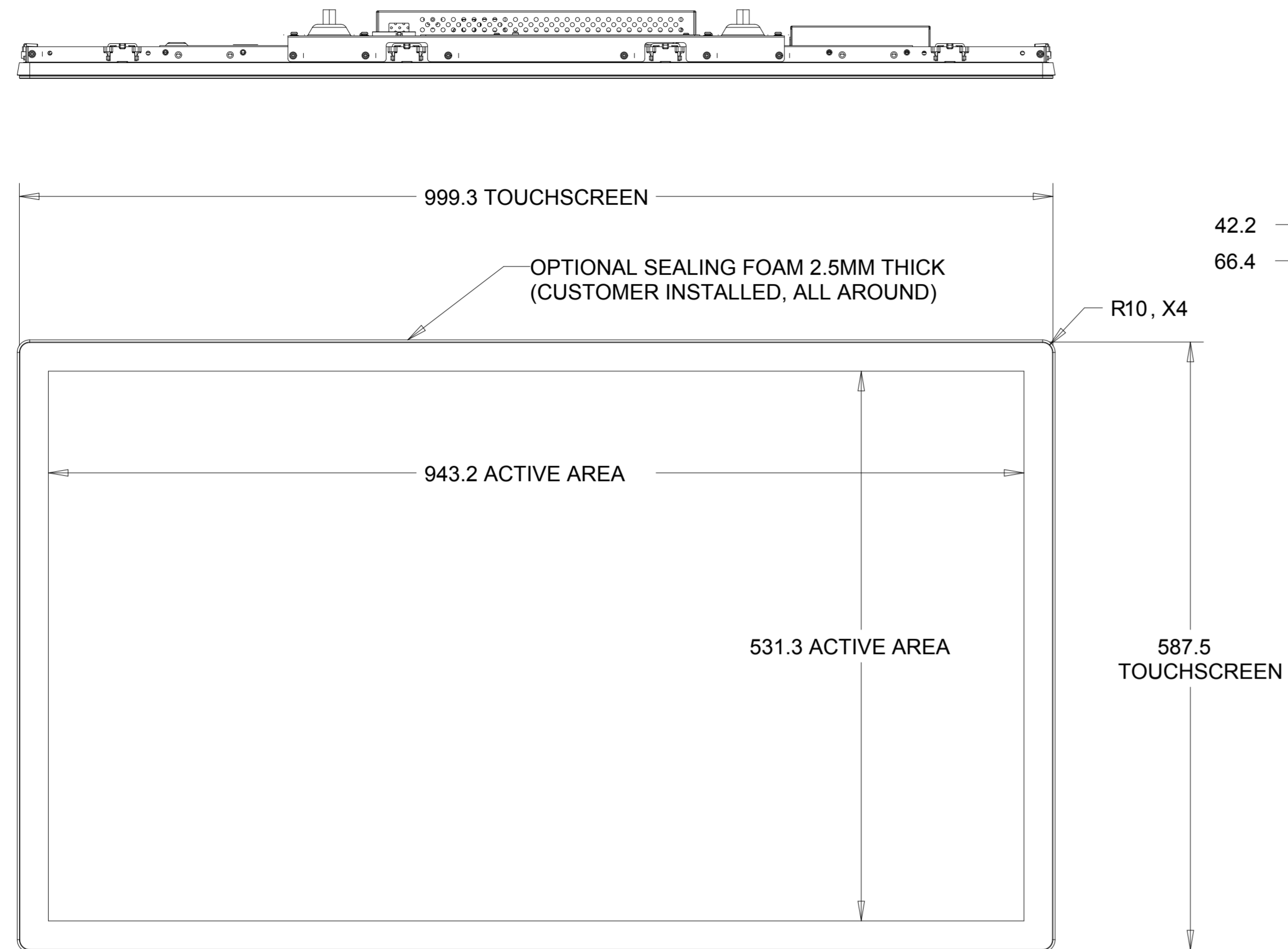


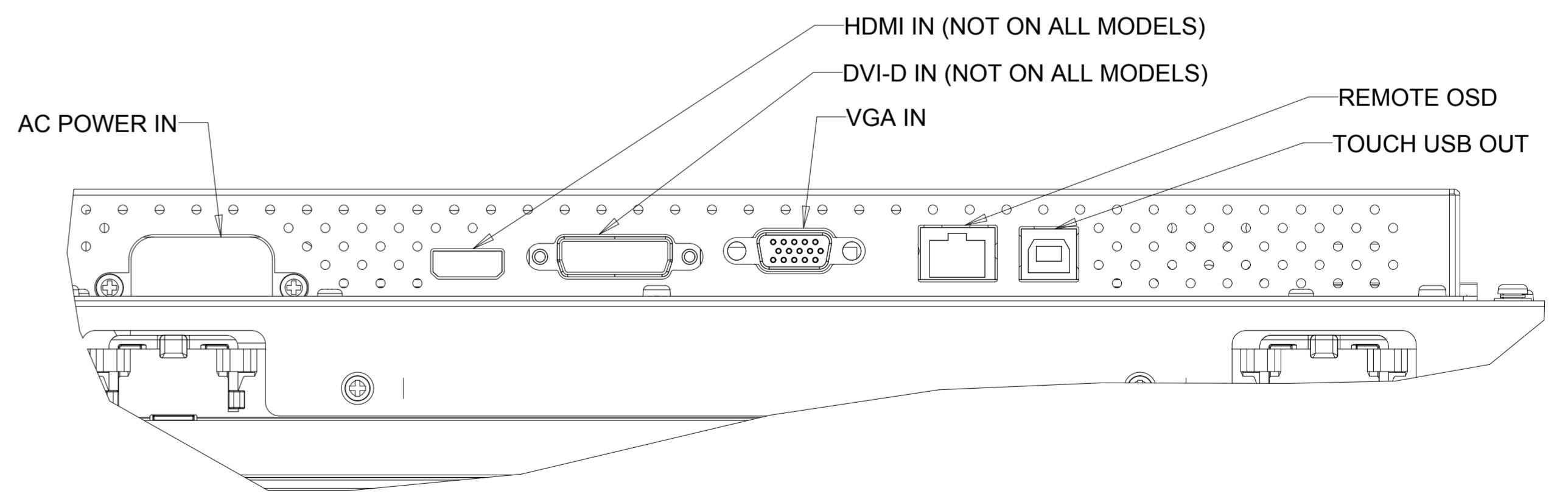
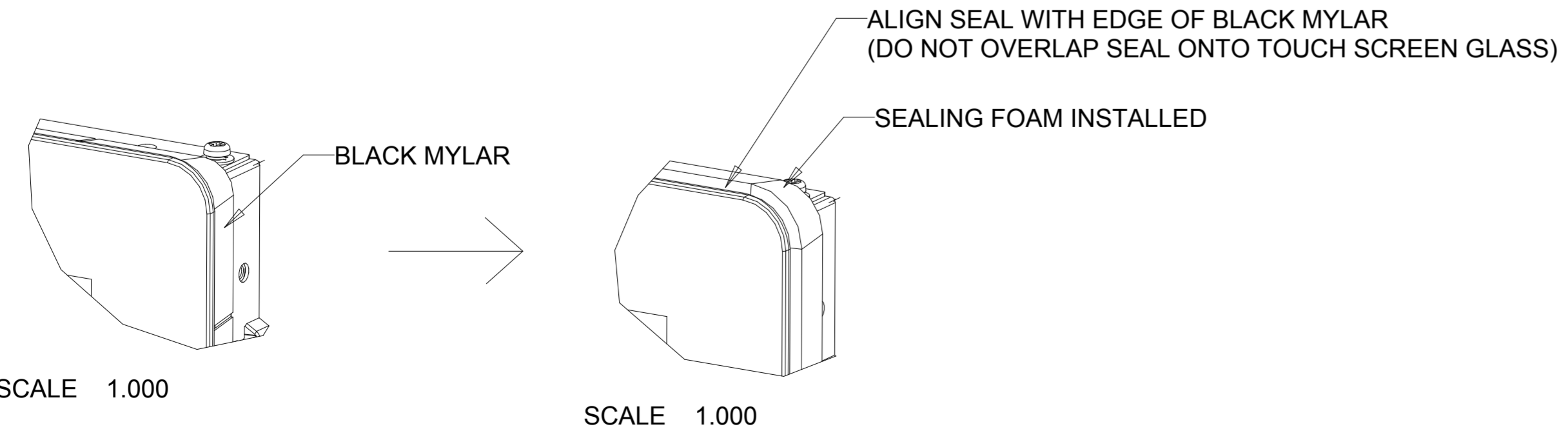
DIMENSIONAL DRAWING: 4343L



SIDE MOUNT LEFT AND RIGHT M4 THREADS, X4

SIDE MOUNT TOP AND BOTTOM M4 THREADS, X4

- SEALING FOAM INSTALLATION (OPTIONAL FOR VESA OR SIDE MOUNTING):
1. PEEL BACK 2-3" OF RELEASE LINER FROM FOAM SEAL
  2. ALIGN EXPOSED END OF FOAM SEAL WITH BLACK MYLAR ON TOUCH DISPLAY
  3. GENTLY PEEL BACK ADDITIONAL RELEASE LINER AS TAPE IS PRESSED INTO PLACE.
  4. FOAM SEAL SHOULD NOT EXTEND OFF THE EDGE OF BLACK MYLAR



SCALE 1.000

DIMENSIONS ARE IN MILLIMETERS

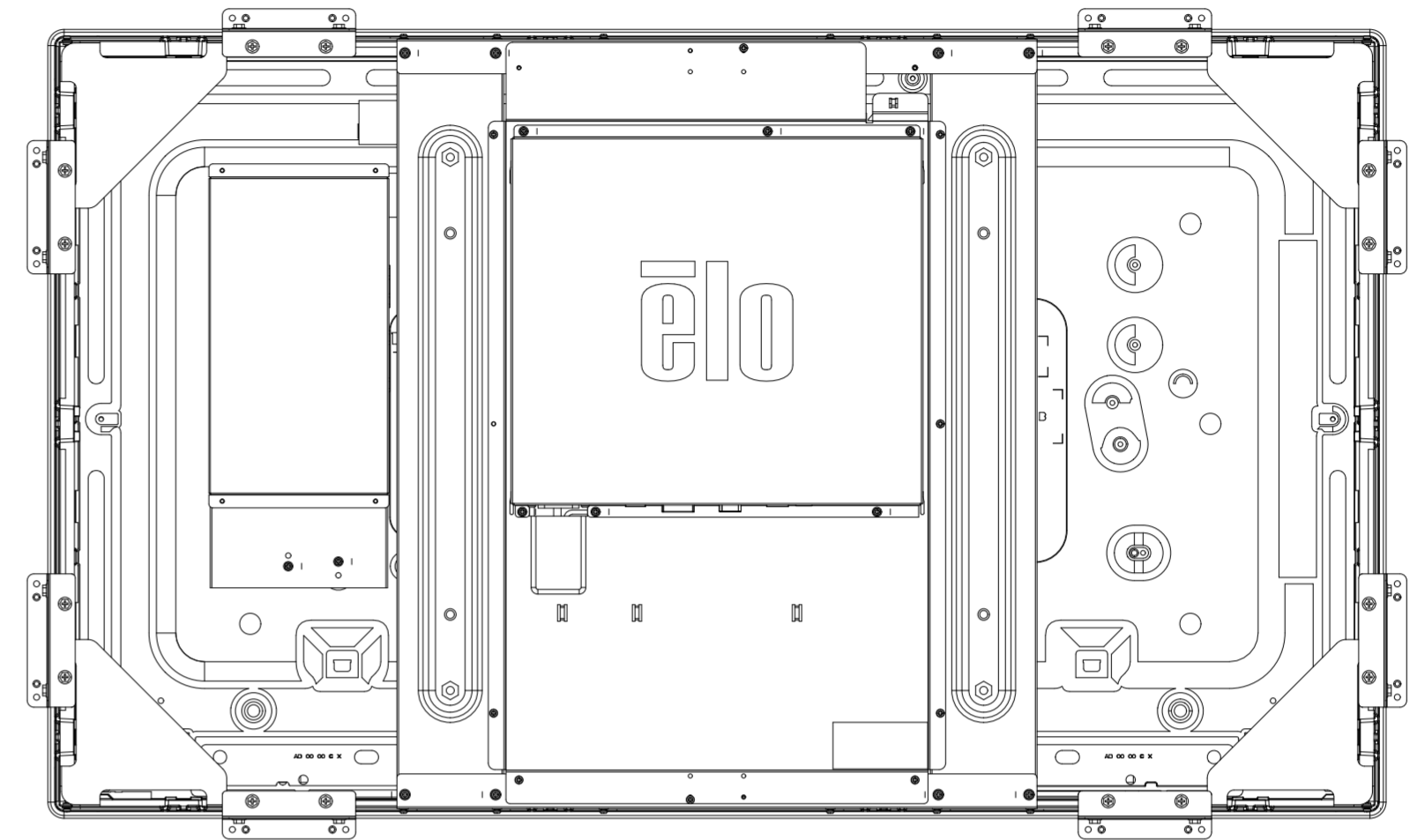
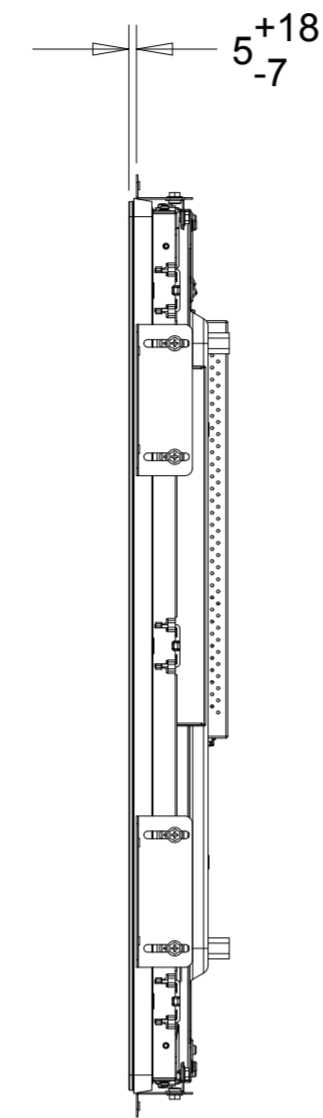
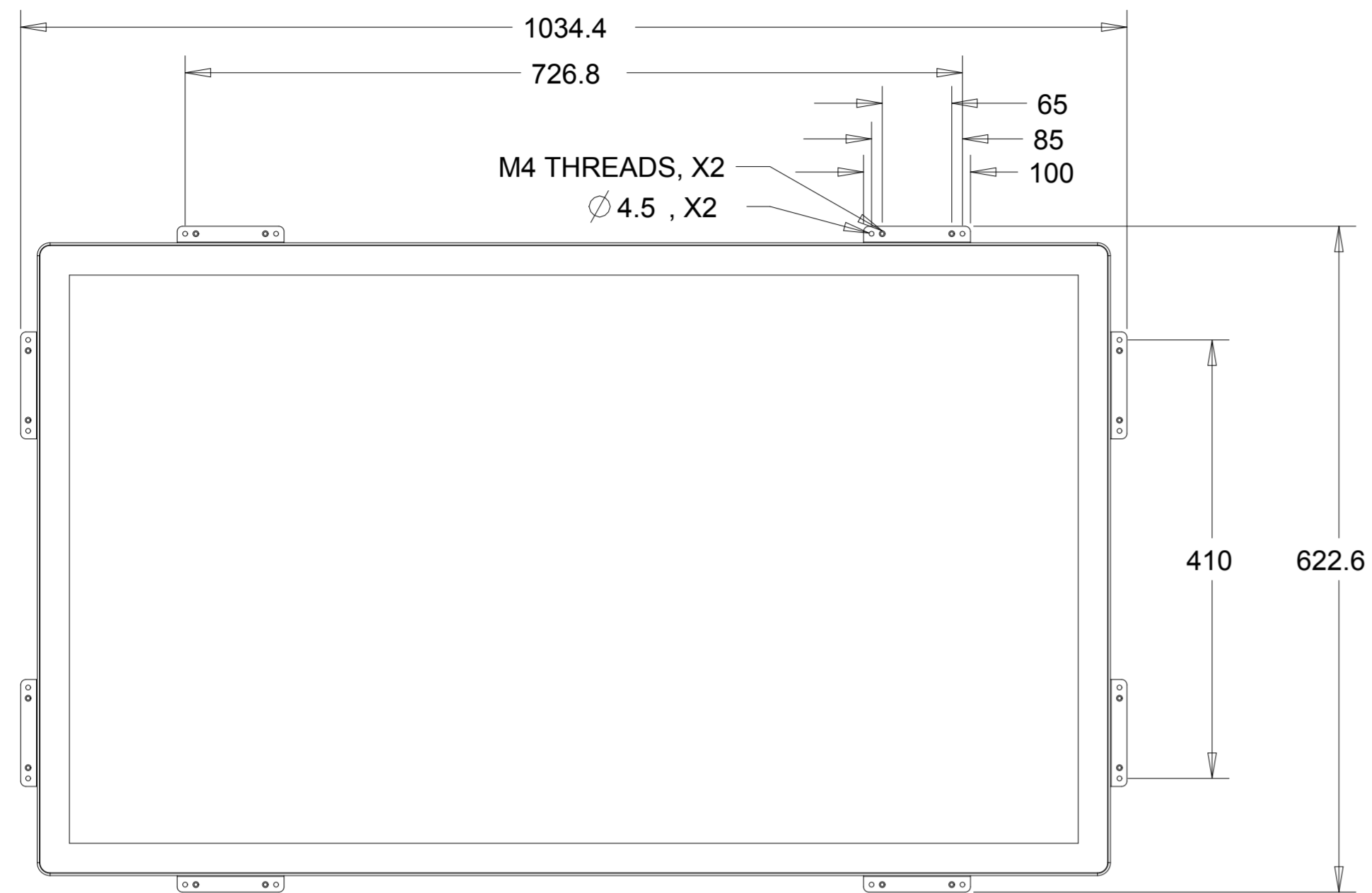


MS601917  
DATE: 05/09/2017  
REV: A

DIMENSIONAL DRAWING: 4343L

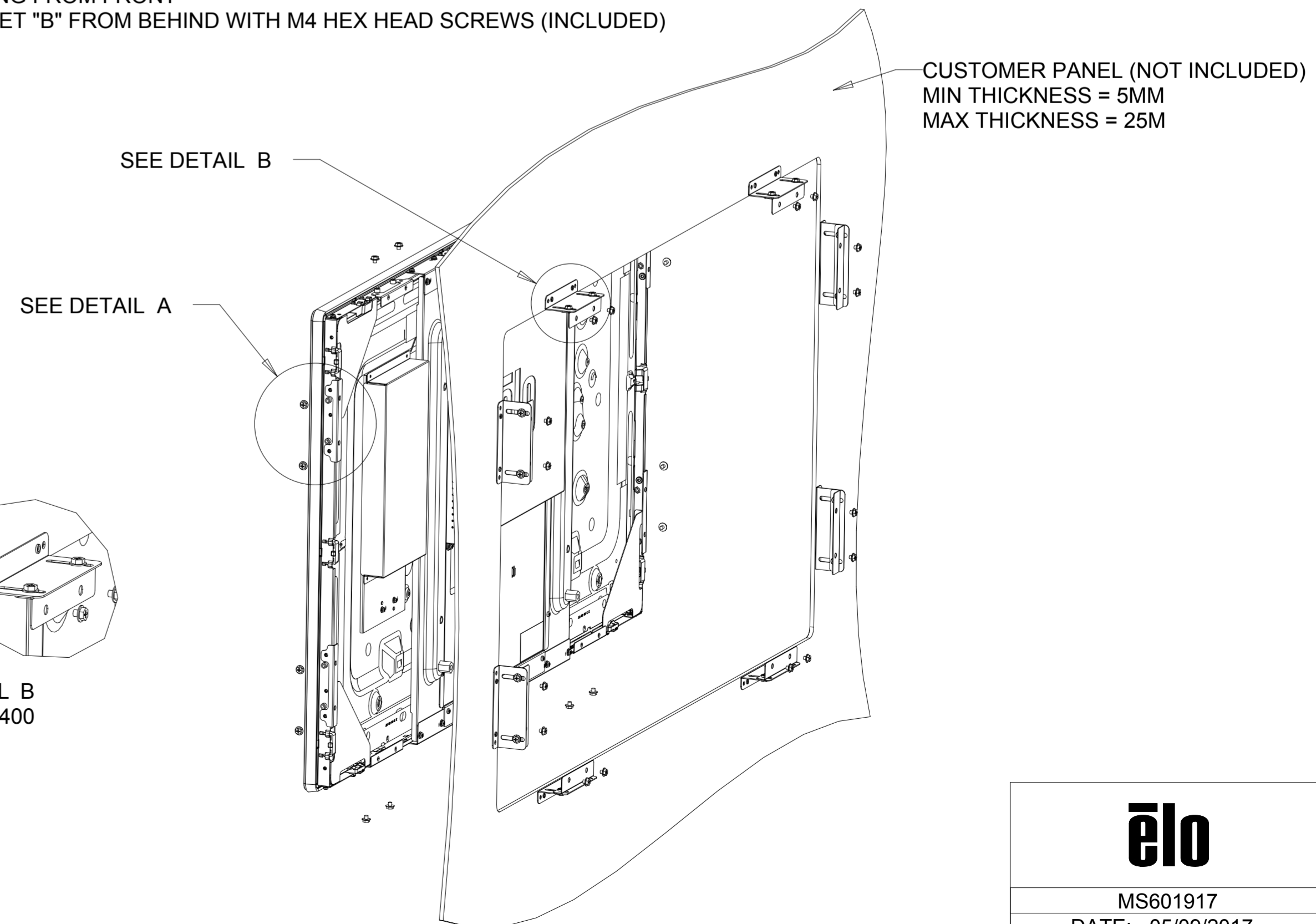
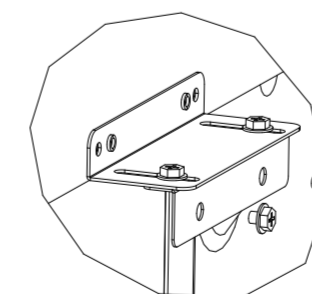
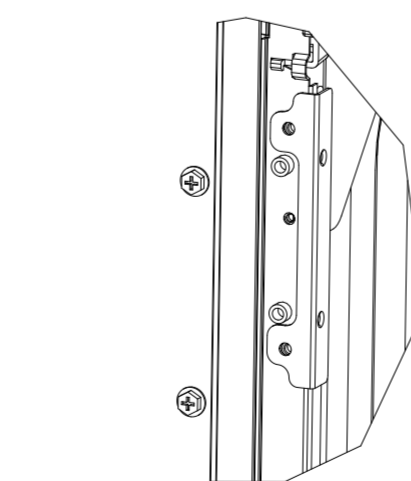
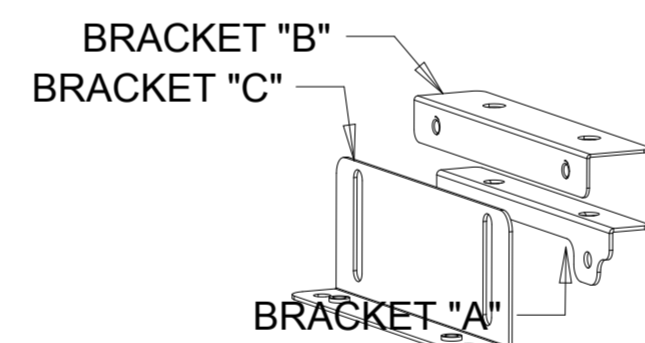
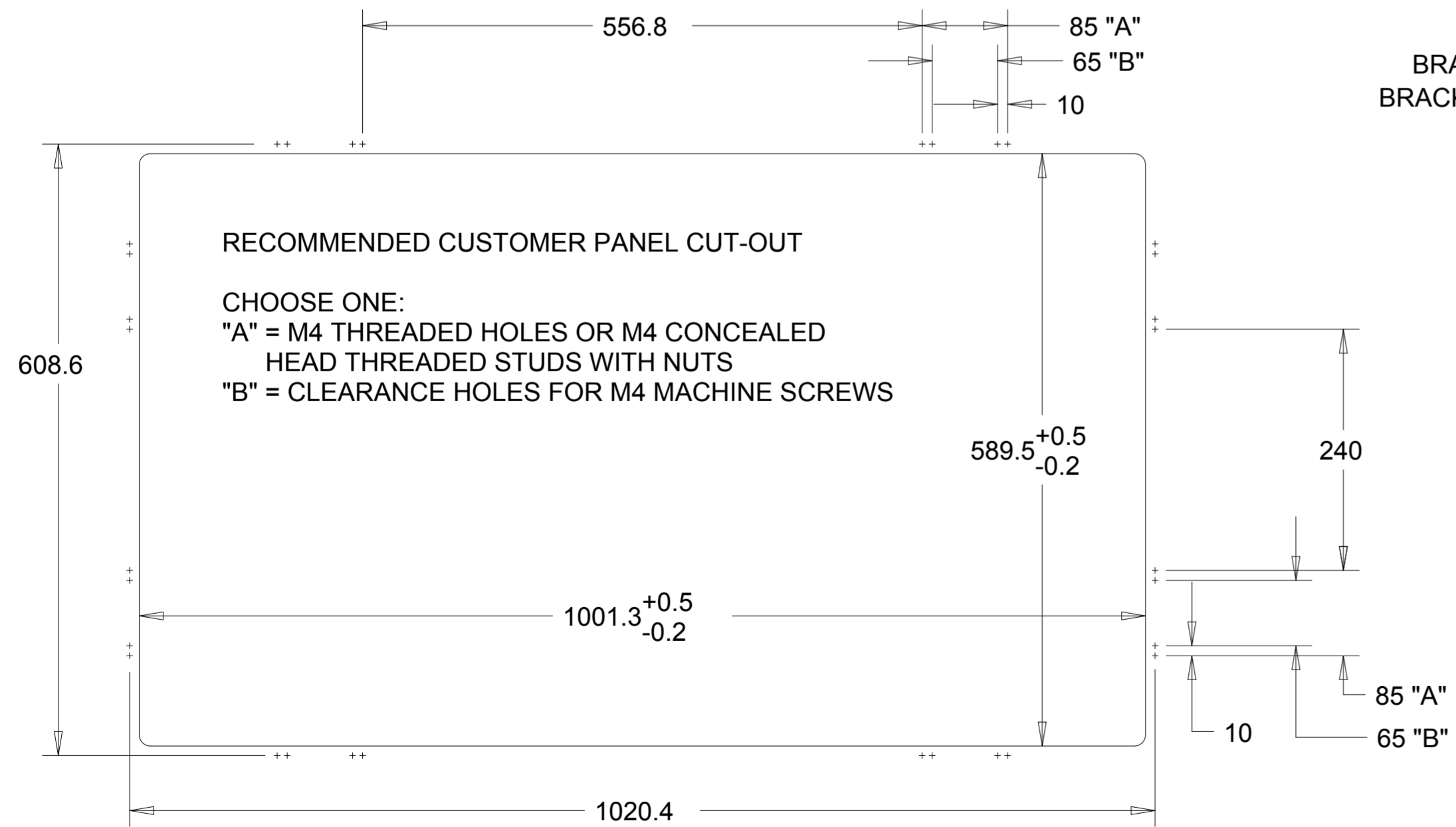
FLUSH MOUNTING KIT  
INCLUDED WITH 4343L, CUSTOMER ASSEMBLED

REPLACEMENT BRACKET AND SEALING FOAM KIT P/N E848336 AVAILABLE SEPARATELY



INSTALLATION NOTES:

1. INSTALL SEALING FOAM AROUND EDGE OF TOUCH DISPLAY PER INSTRUCTIONS ON PAGE 1.
2. ATTACH BRACKET "A" TO TOUCHMONITOR, 8 PIECES
3. ATTACH BRACKET "C" TO CUSTOMER PANEL PER CUT-OUT DRAWING, 8 PIECES
4. ATTACH BRACKET "B" TO BRACKET "C" WITH INCLUDED M4 HEX HEAD SCREWS, 8 PIECES
5. ADJUST DEPTH OF BRACKET "B" SO TOUCHMONITOR WILL BE FLUSH WITH CUSTOMER PANEL
6. PLACE TOUCHMONITOR INTO OPENING FROM FRONT
7. SECURE TOUCHMONITOR TO BRACKET "B" FROM BEHIND WITH M4 HEX HEAD SCREWS (INCLUDED)



DIMENSIONS ARE IN MILLIMETERS

elo

MS601917

DATE: 05/09/2017

REV: A