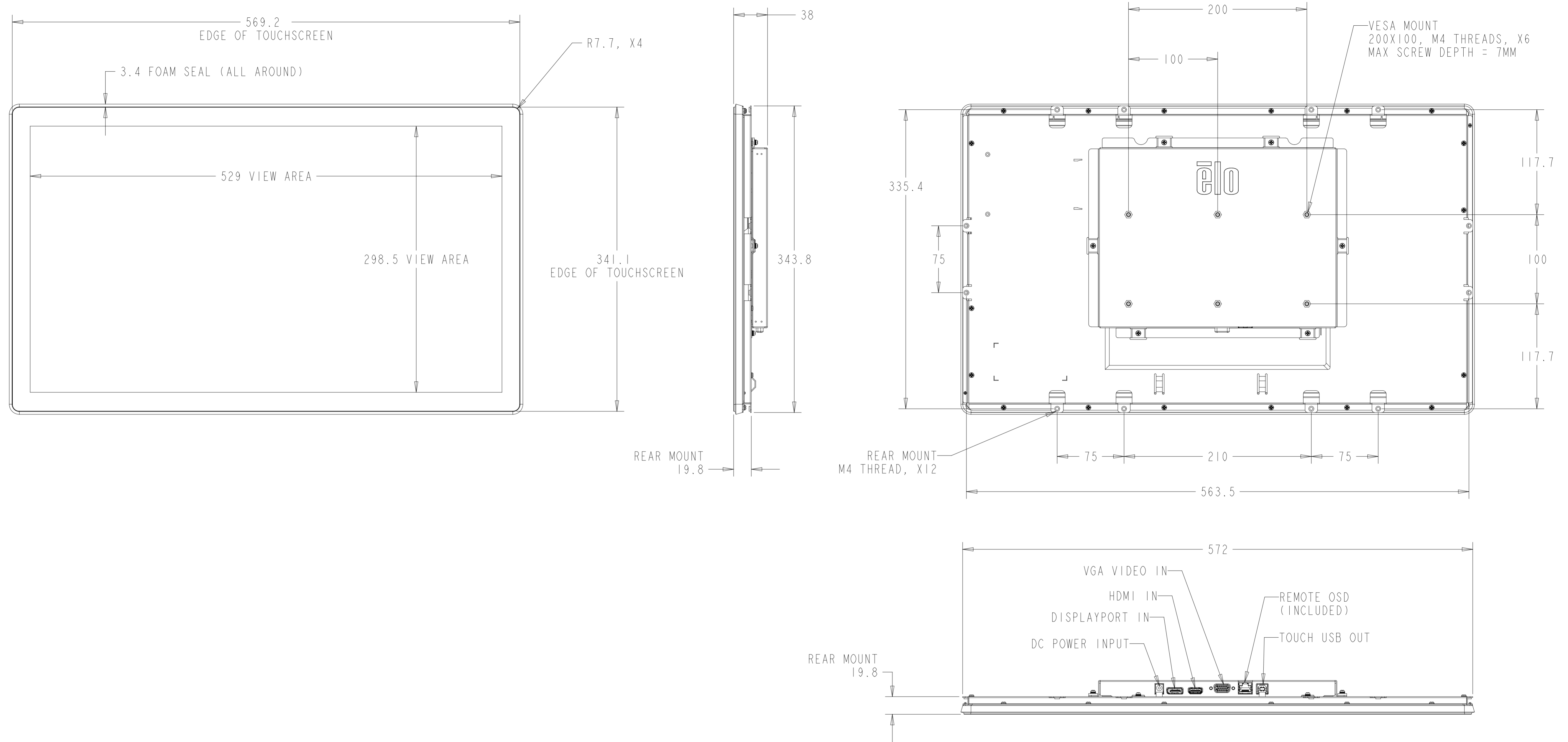
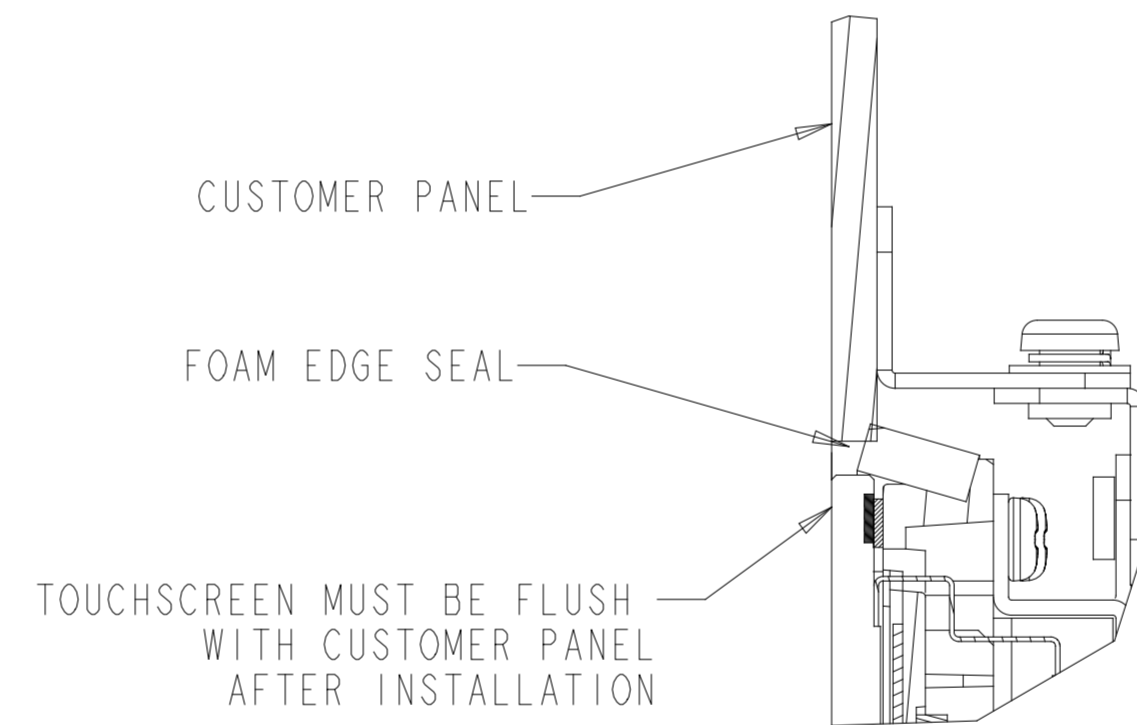
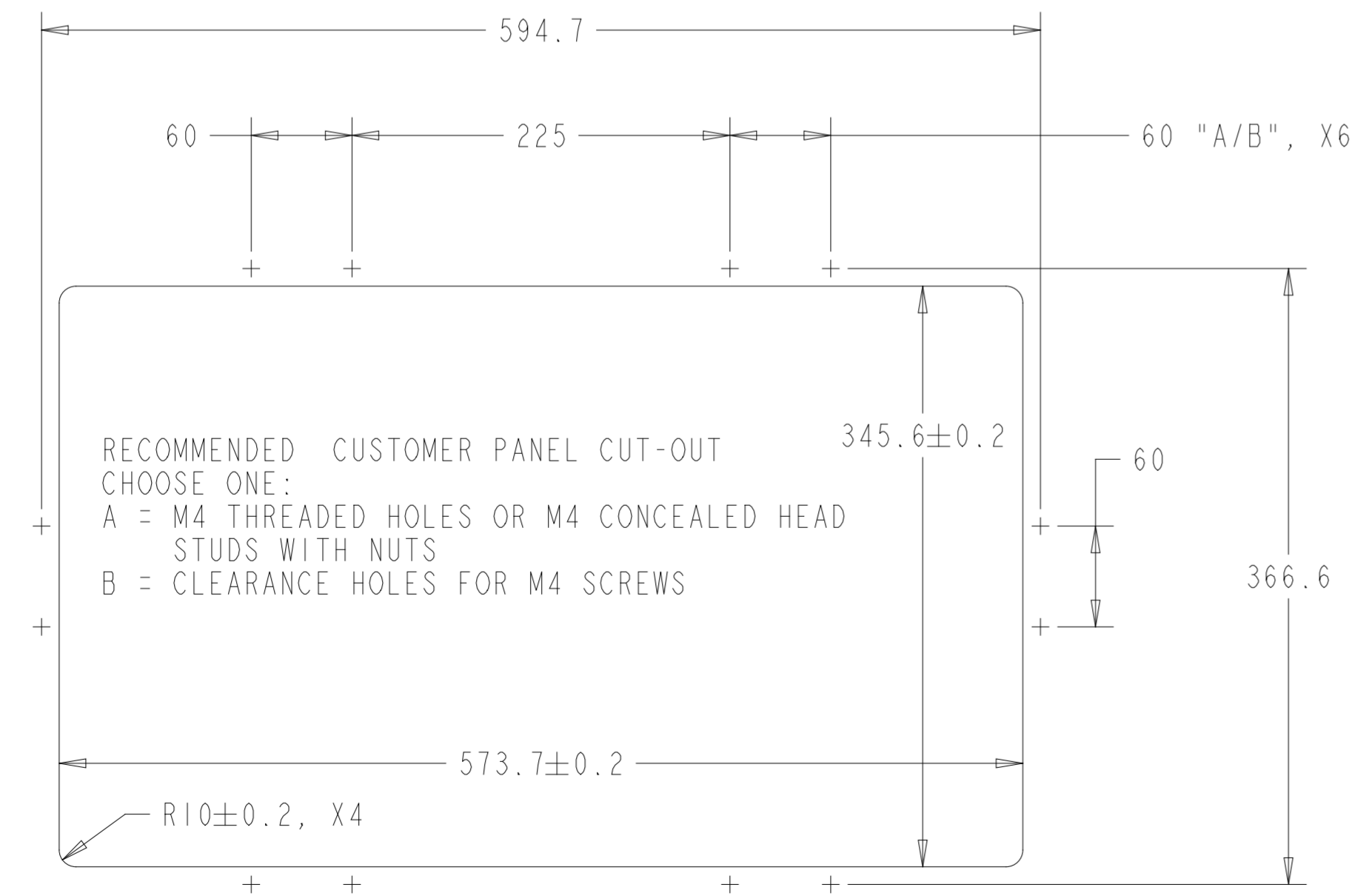
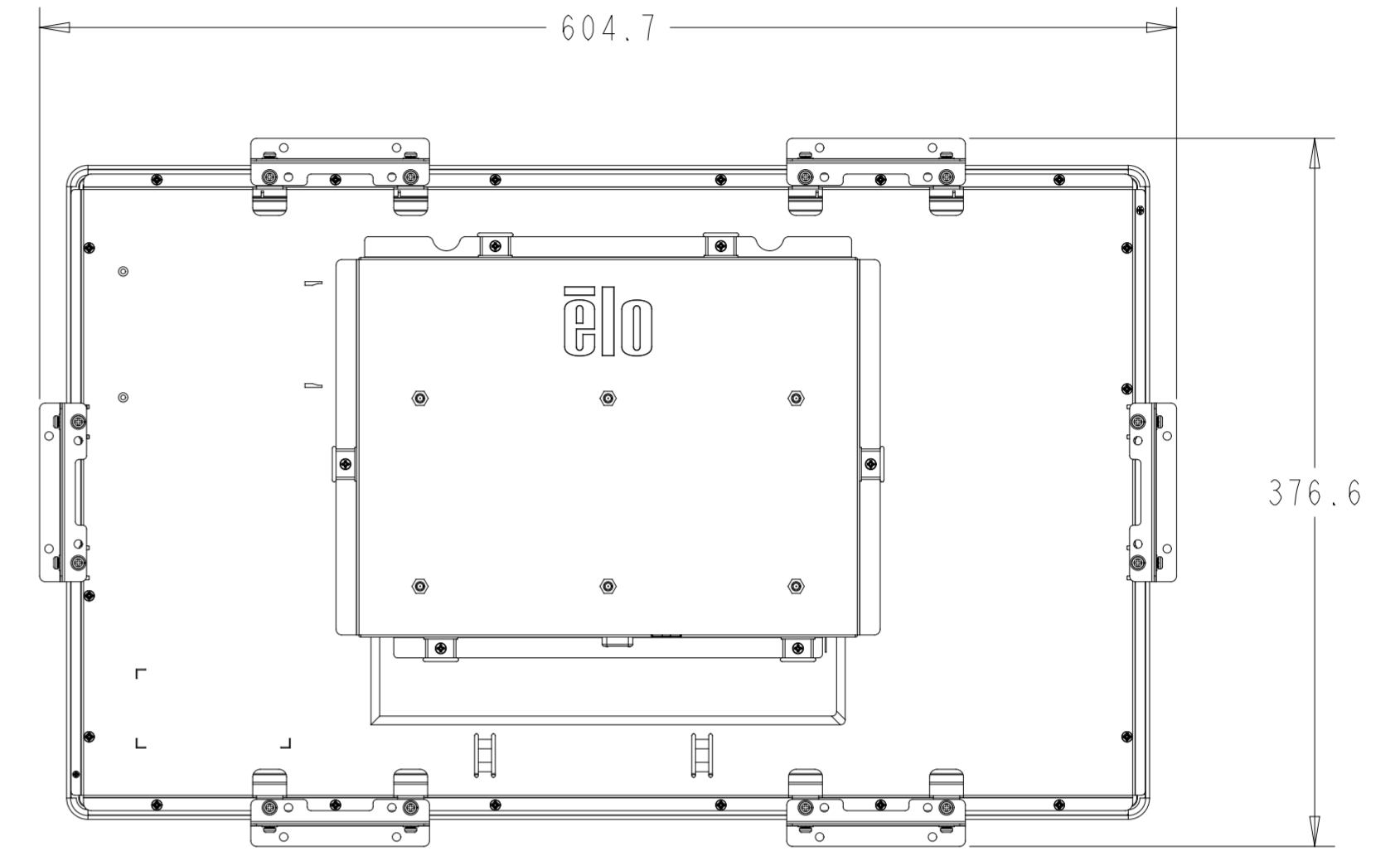
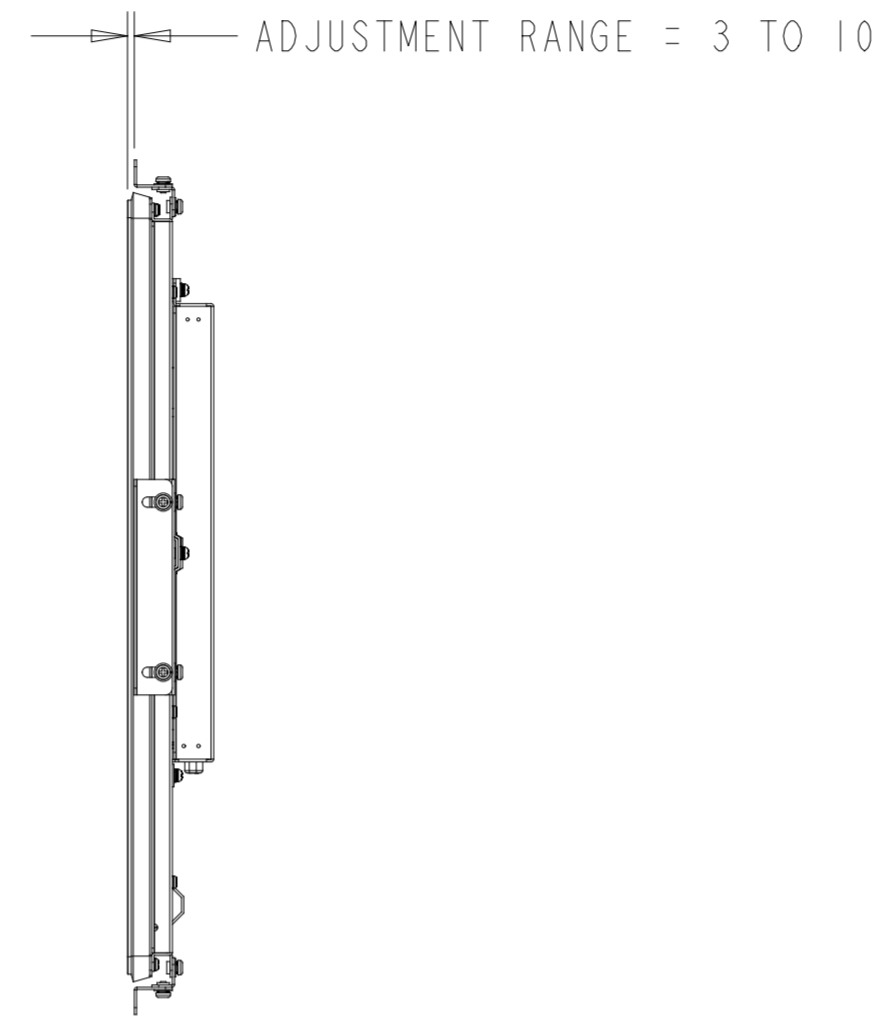
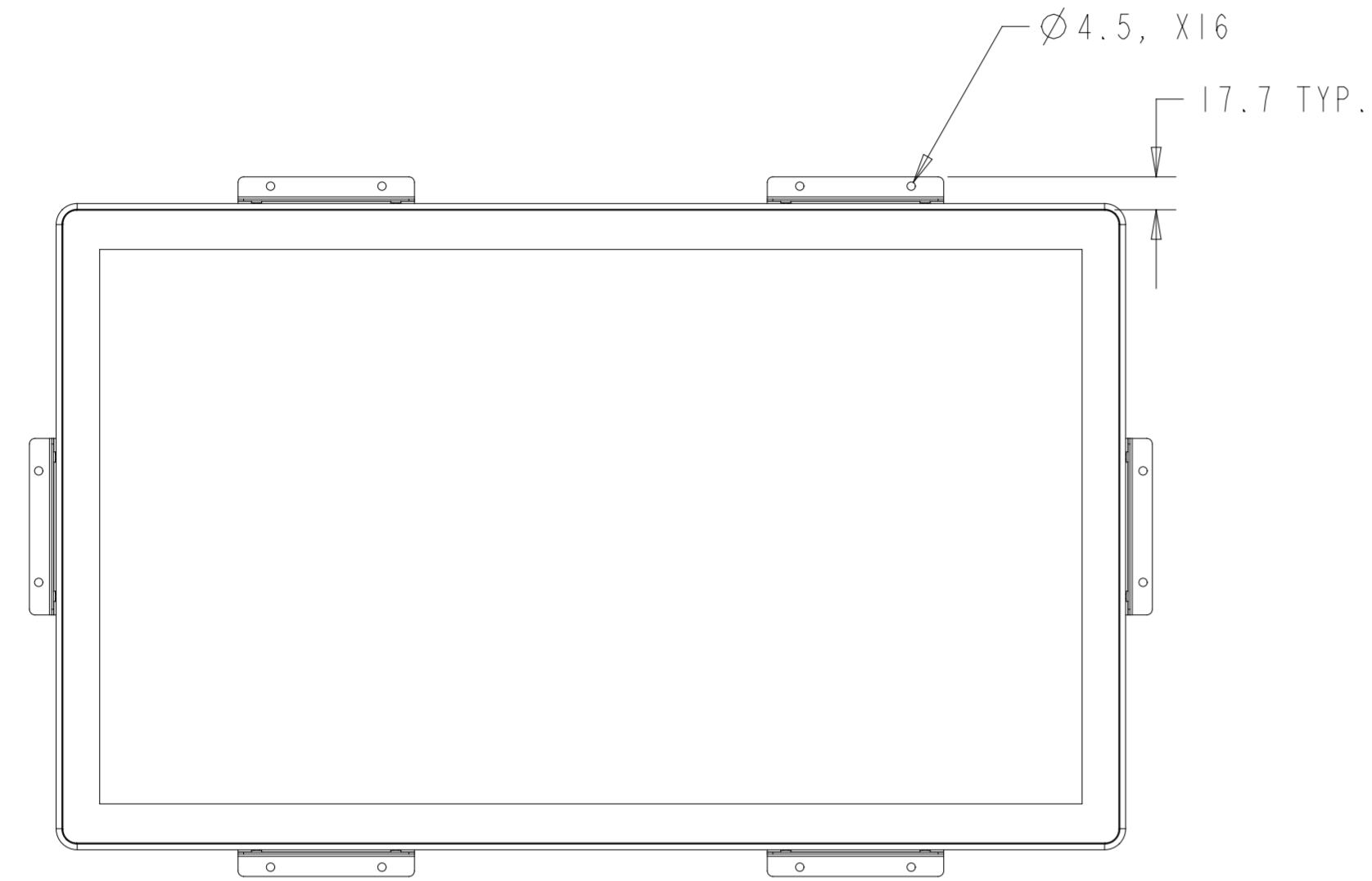


PROJECTED CAPACITIVE MODEL

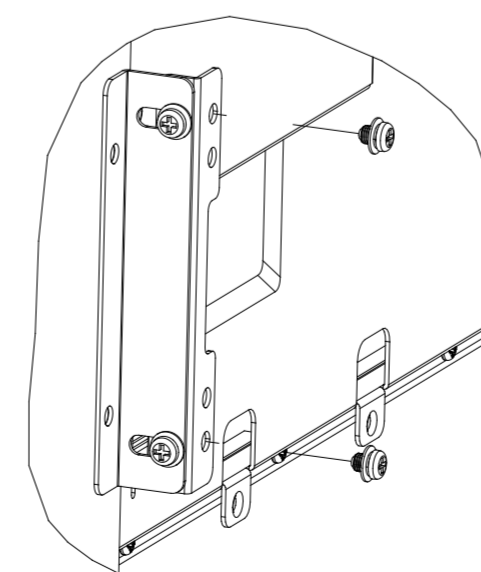
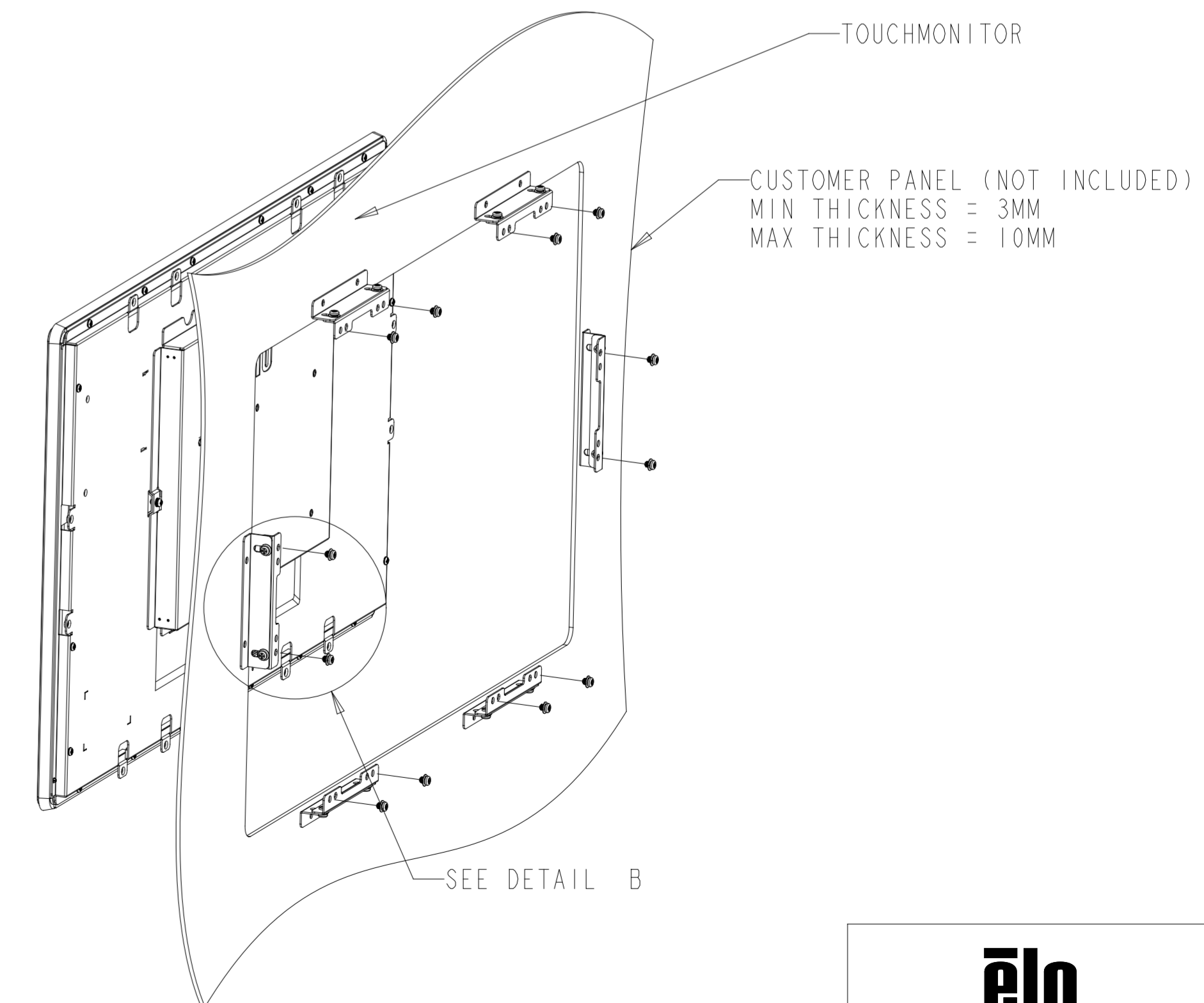


PROJECTED CAPACITIVE MODEL

WITH FLUSH MOUNTING BRACKETS (6 SETS INCLUDED)  
 REPLACEMENT BRACKET KIT P/N E000879 AVAILABLE SEPARATELY

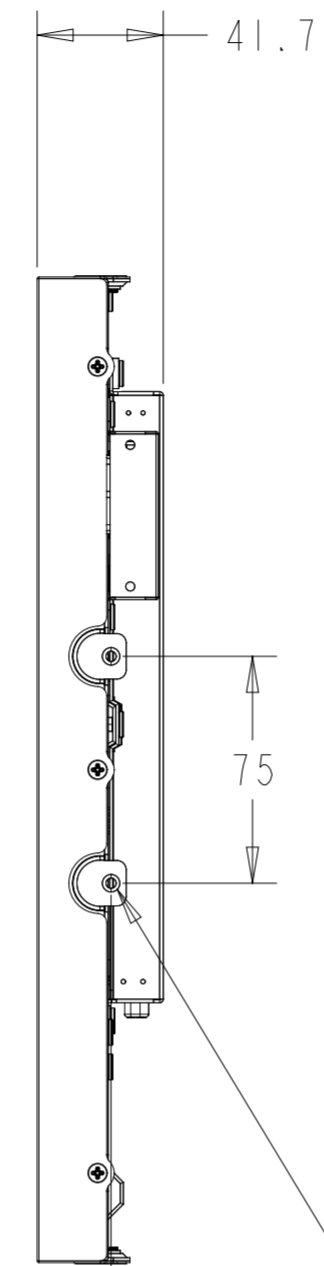
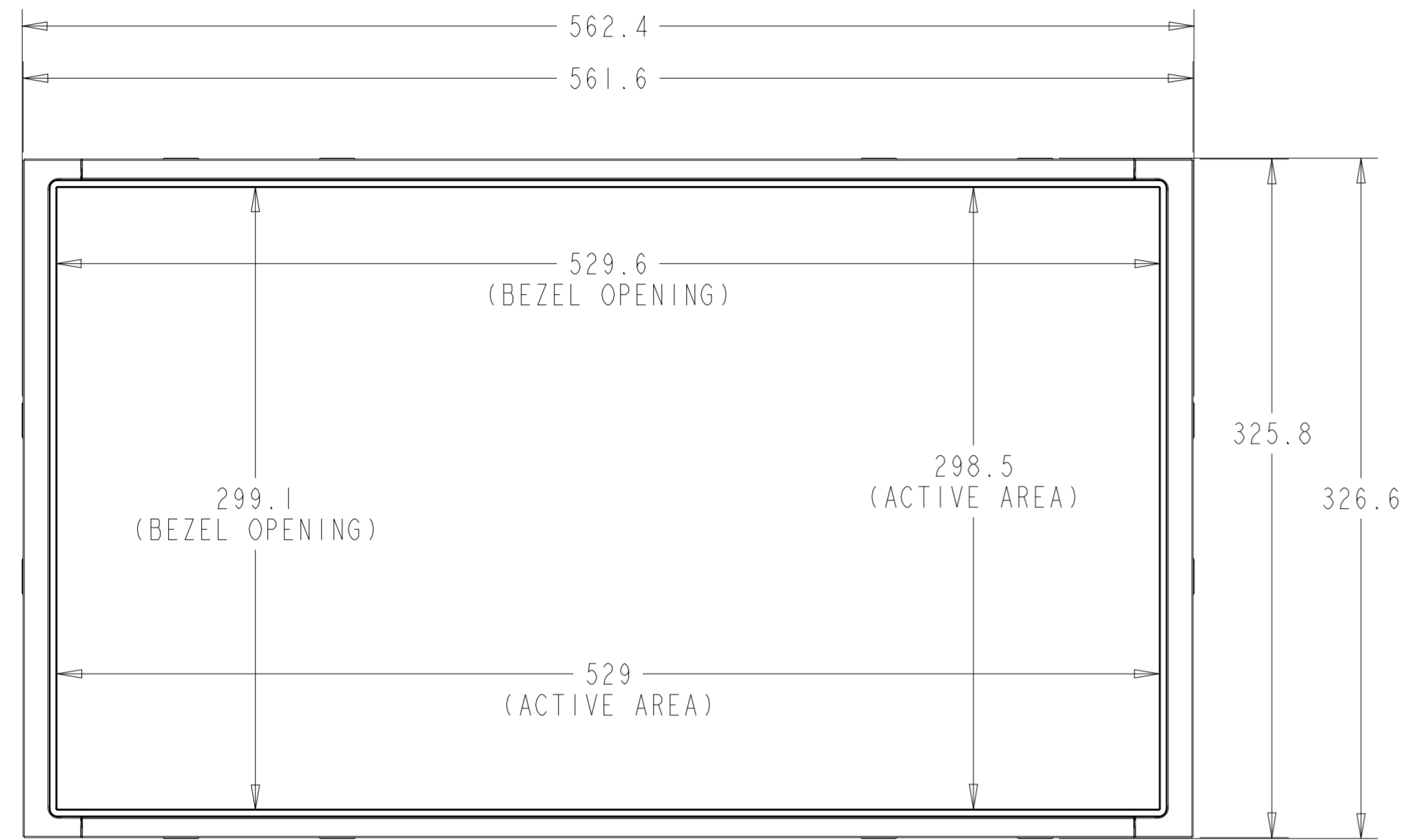


SECTION KIOSK-KIOSK  
 SCALE 2.000



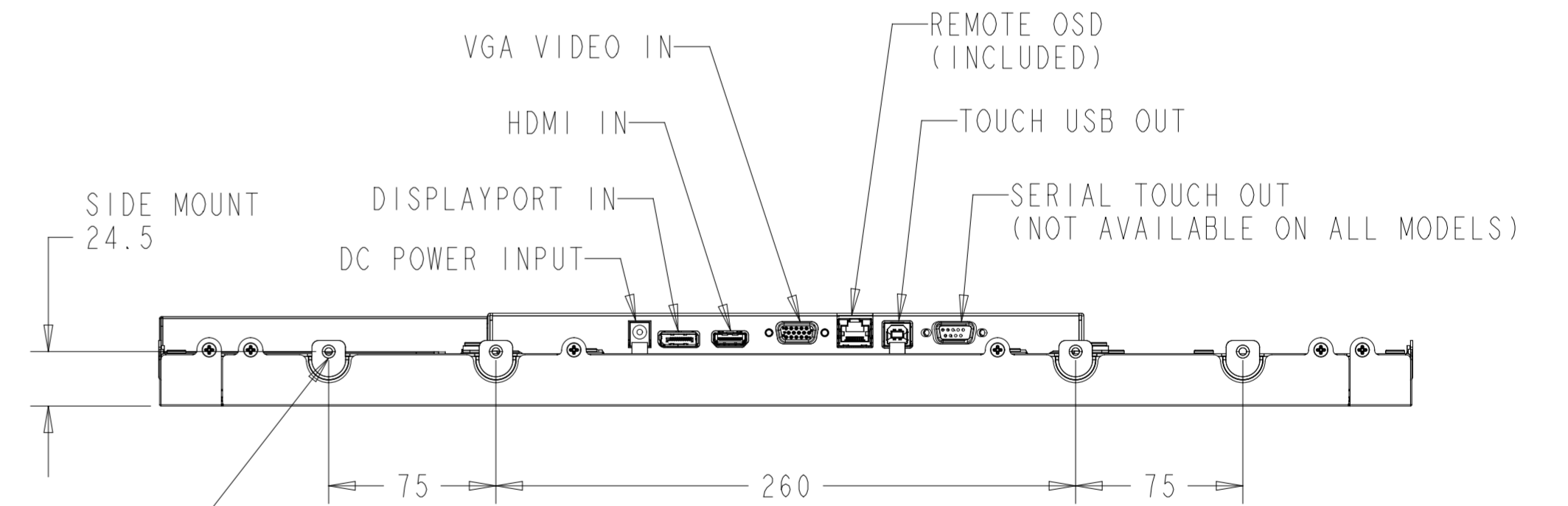
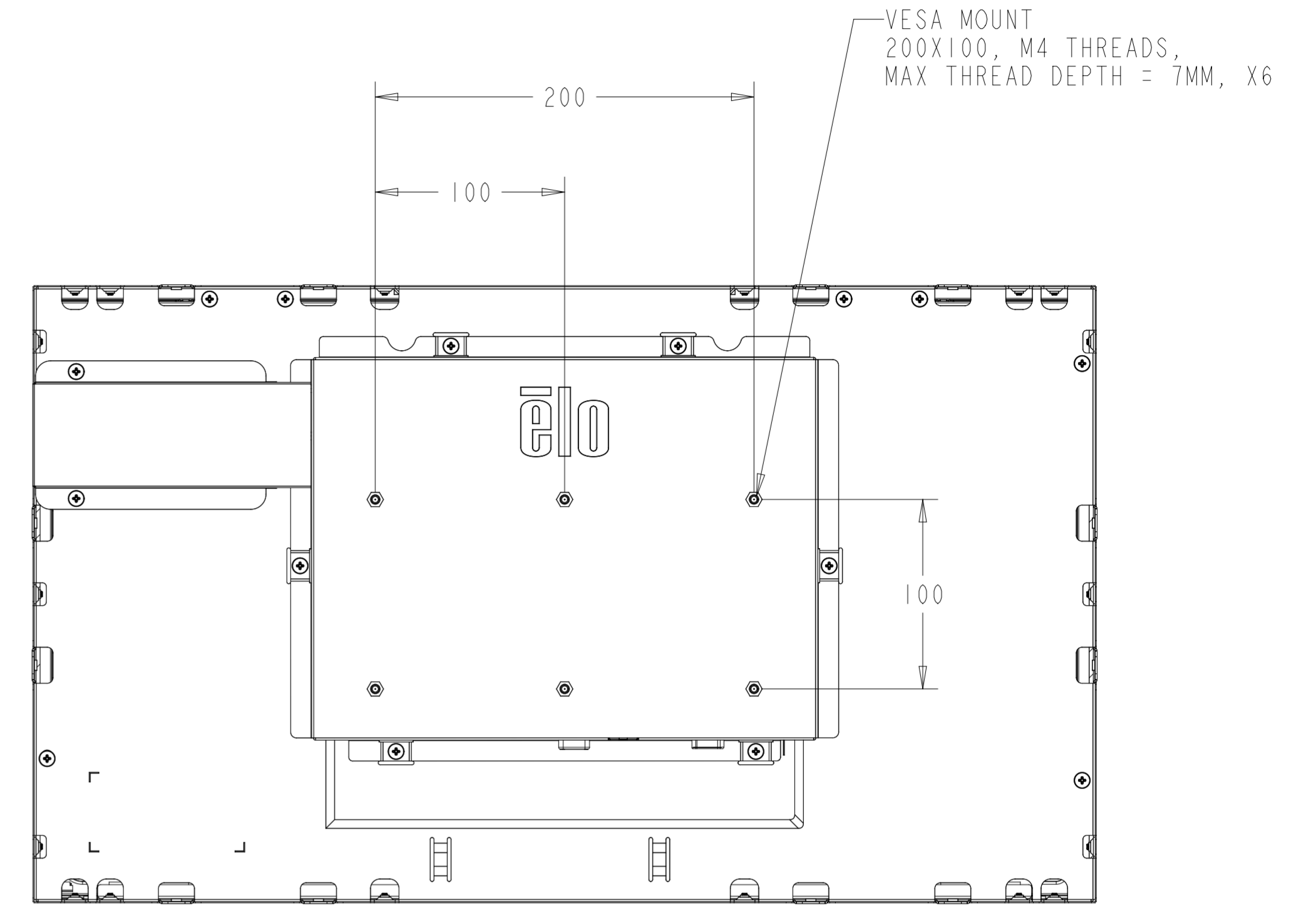
DETAIL B  
 SCALE 0.600

INTELLITOUCH MODELS



SIDE MOUNT  
24.5

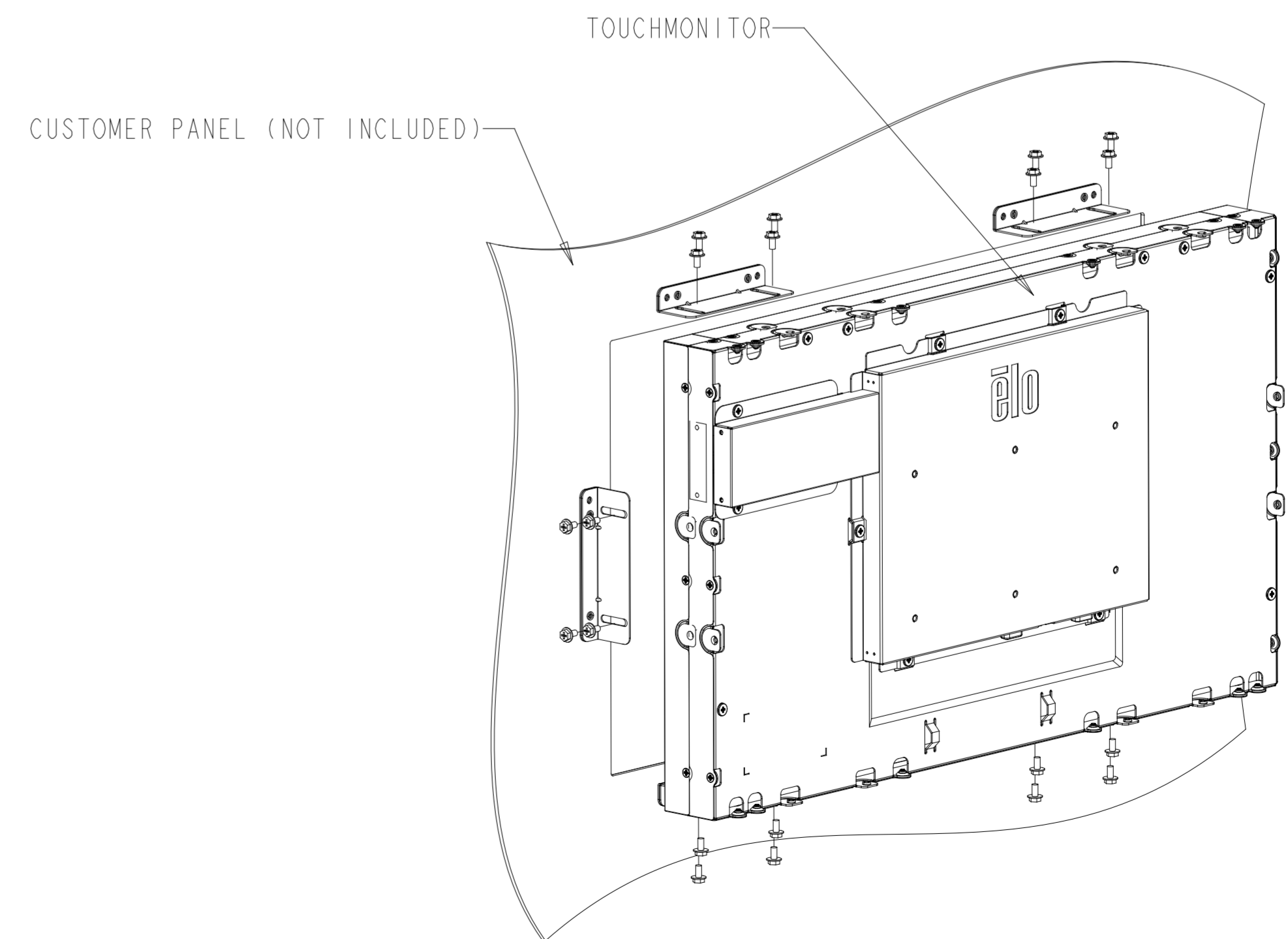
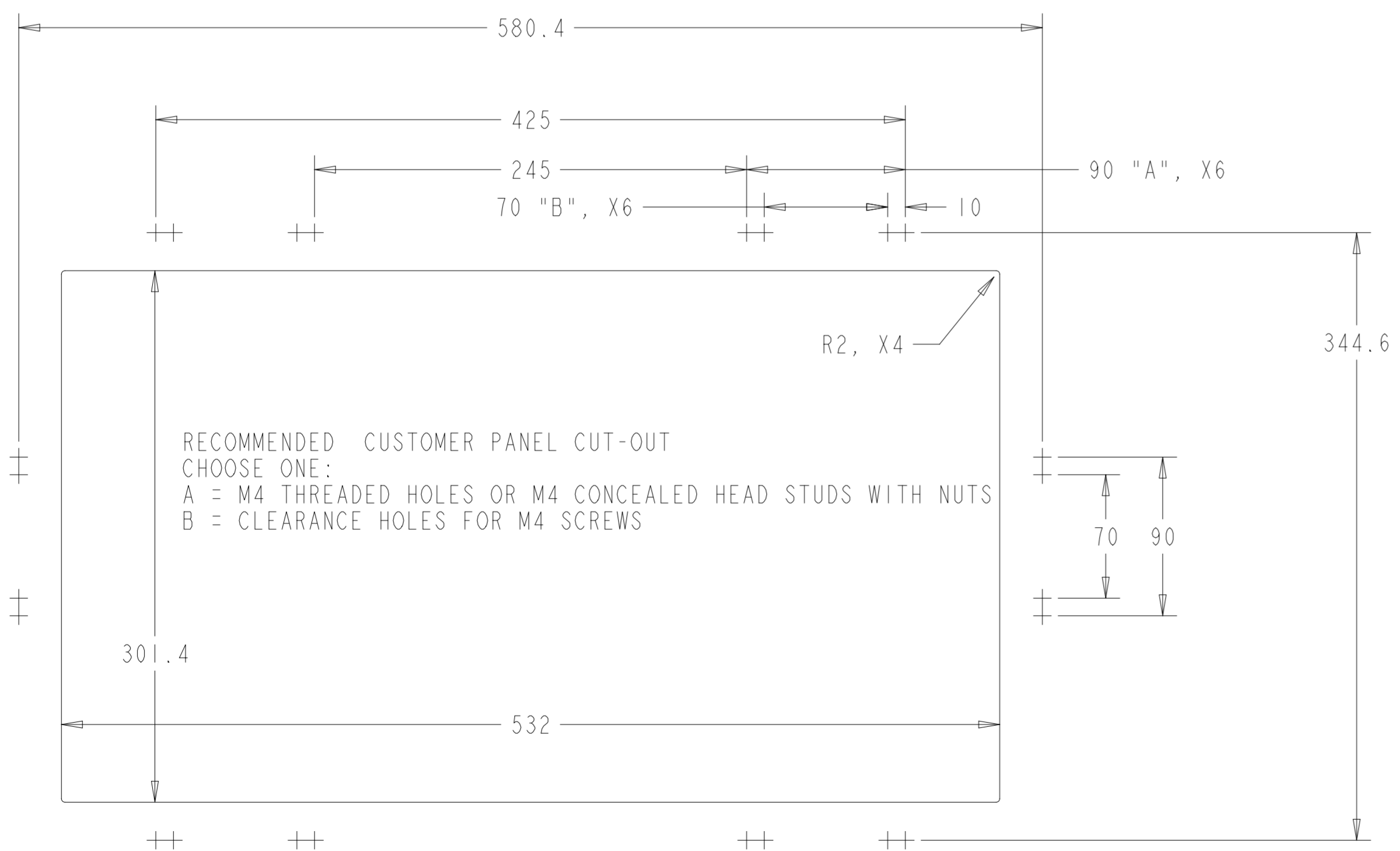
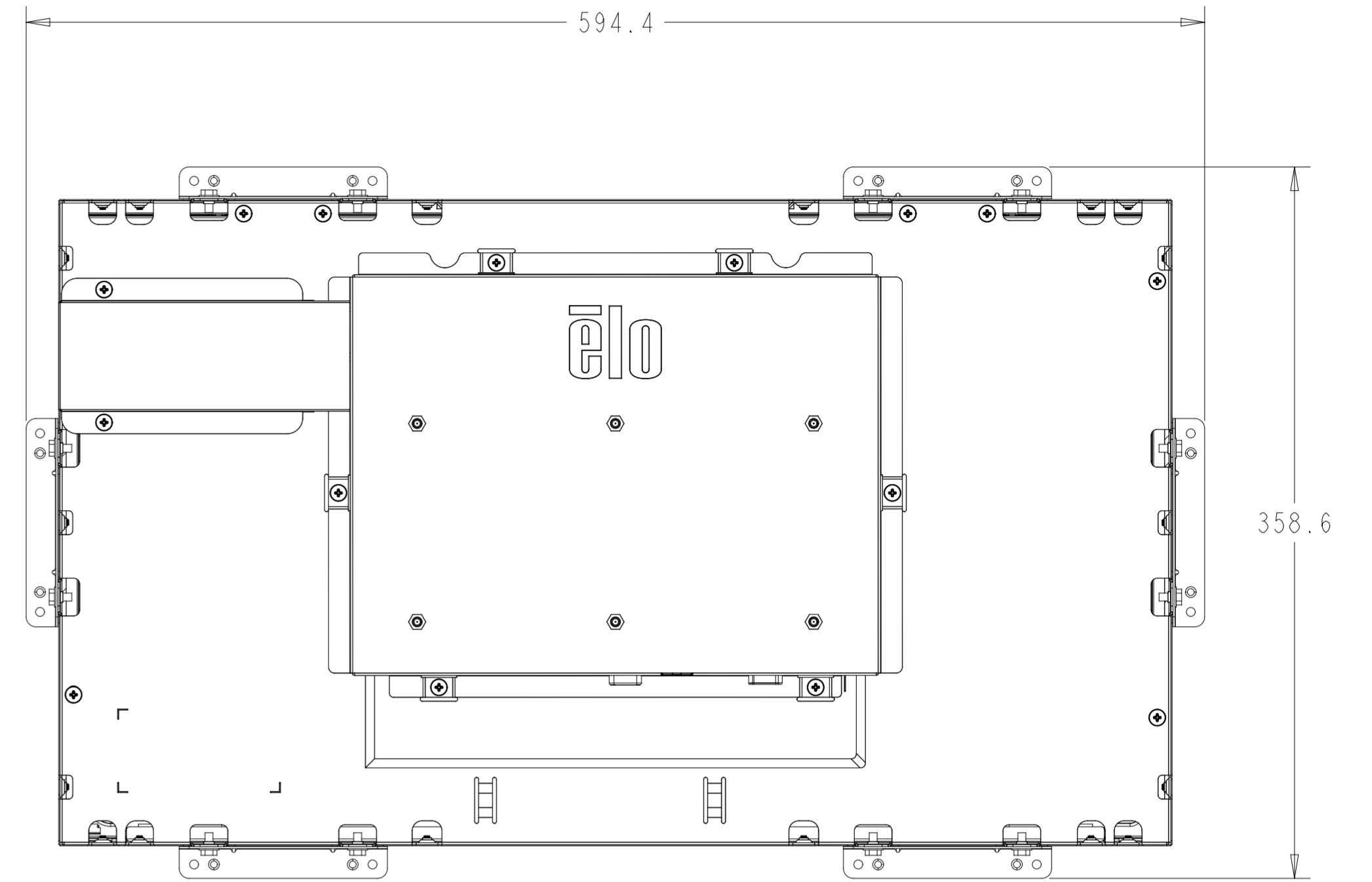
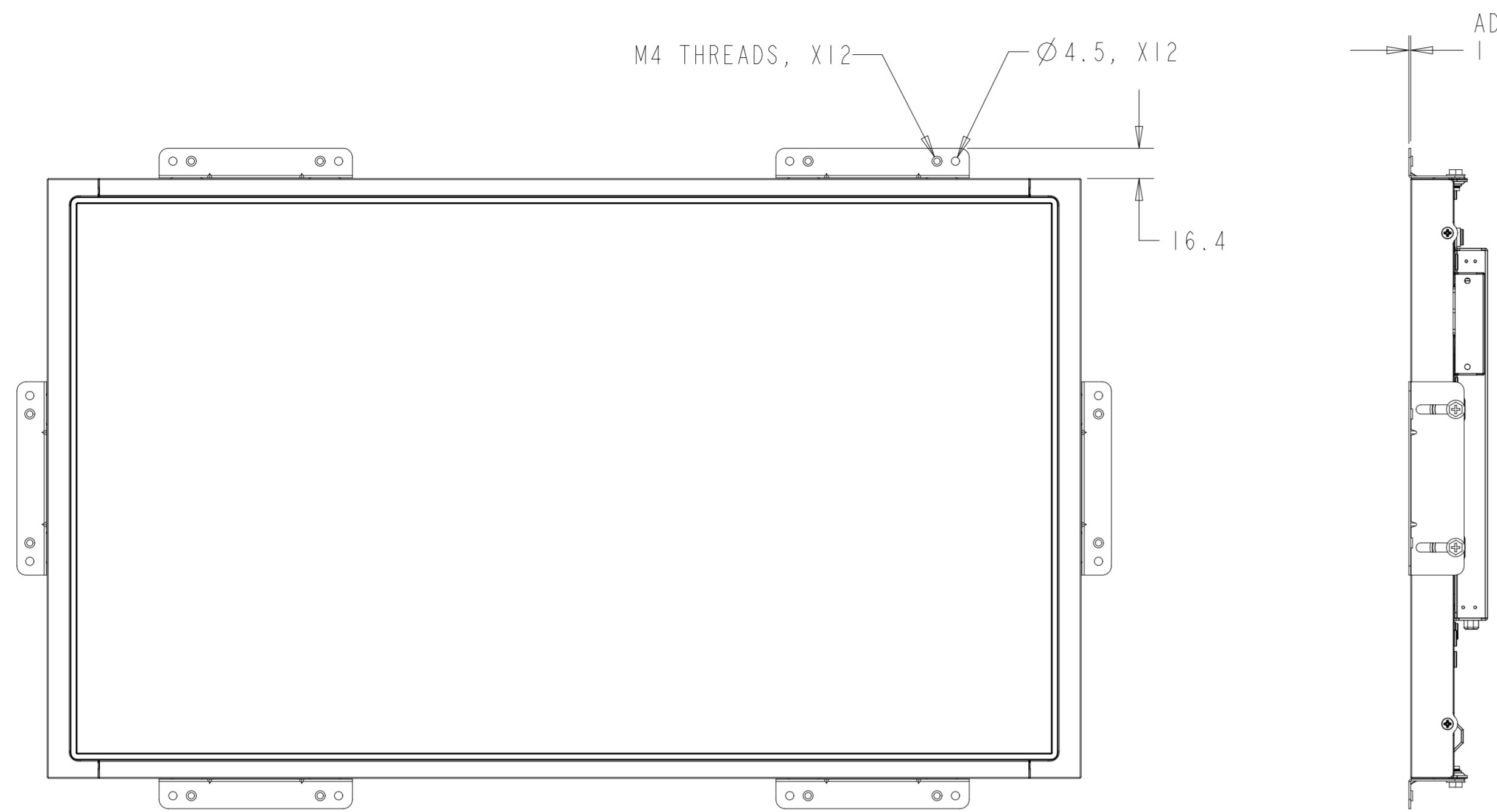
SIDE MOUNT (LEFT AND RIGHT),  
M4 THREADS, MAX THREAD DEPTH = 6MM, X2



SIDE MOUNT, (TOP AND BOTTOM)  
M4 THREADS, MAX THREAD DEPTH = 6MM, X4

INTELLITOUCH MODELS

WITH SIDE MOUNTING BRACKETS (6 INCLUDED)  
 REPLACEMENT BRACKET KIT P/N E000878 AVAILABLE SEPARATELY



OPTIONAL FRONT MOUNT BEZEL KIT - P/N E083096  
 FOR INTELLITOUCH MODELS ONLY  
 ORDERED SEPARATELY, CUSTOMER ASSEMBLED

